

MID-RANGE, PUMP CONTROL ULTRASONIC LEVEL SENSORS

SERIES: DST



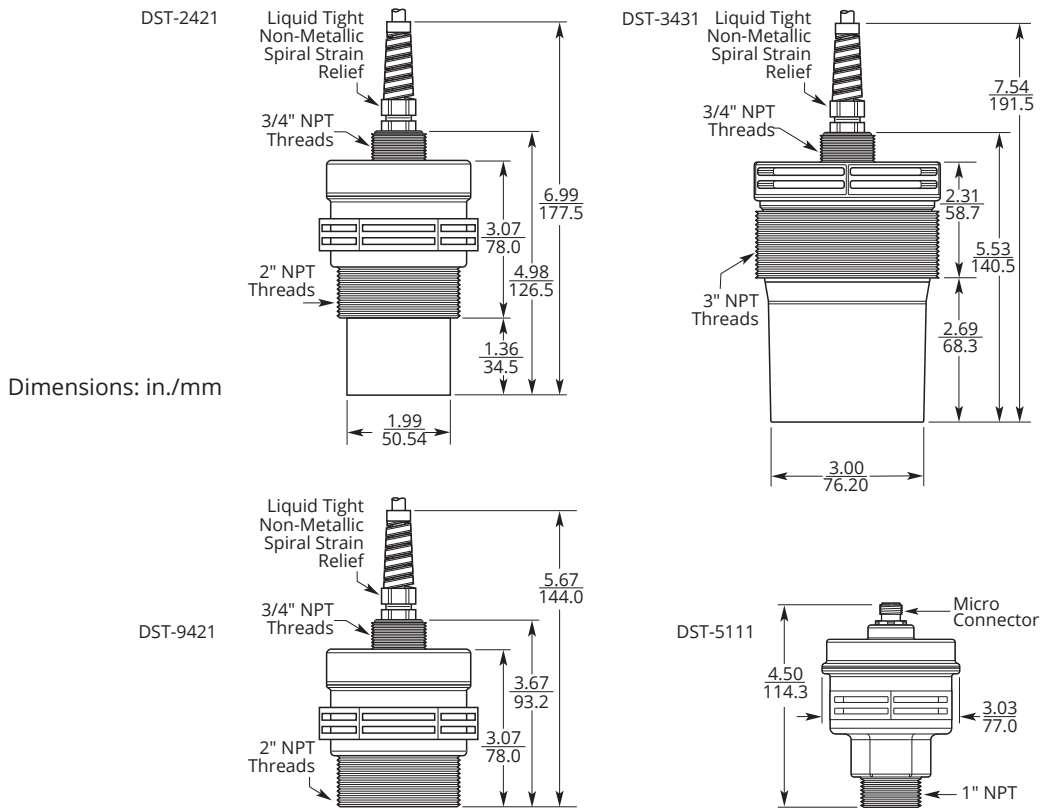
The DST series ultrasonic sensors are designed to be used in conjunction with a DCR controller to give you a simplified, stand-alone system. The transmit and receive circuit is built into the sensor and digitally communicates the detected distance to the DCR controller. This allows the sensor to be separated from the DCR controller by up to 2000 feet with no signal loss. With several sensors to choose from, there are plenty of options for your application needs.

Features

- AutoSense software provides hassle-free setup
- Internal Temperature Compensation
- Controller and sensor can be separated up to 2000 ft. (650 m)



DST SPECIFICATIONS



Performance

- Beam Pattern: 9° off axis
- Internal Temperature Compensation
- Accuracy: $\pm 0.25\%$ of detected range

Connectivity

- Output: DCR Controller

Physical

- PC/PET blend body: DST-2421, 3431, 5111, 9421
- Electrostatic transducer: DST-9421
- Ceramic transducer: DST-2421, 3431, 5111

Electrical

- Wiring Connection
 - 2 conductor shielded cable
 - Coaxial cable (requires DCR-1006A with F connection)

Programming

- Interface with DCR Controller via APG Modbus Software
- User selected units of measure

Environmental

- Ratings:
 - NEMA 6P
 - NEMA 12
 - IP65
- Operating Temp: -22° - 140°F (-30° - 60°C)

DST COMMON MODEL CONFIGURATIONS

All models require DCR-1006A

Model Number	Model Description
DST-2421-C10	1-25 ft. range , Ceramic Transducer, 2" NPT, PC/PET Body, 10 ft. cable
DST-2421-M	1-25 ft. range , Ceramic Transducer, 2" NPT, PC/PET Body, M12 micro-connector
DST-3431-C10	1.25-50 ft. range , Ceramic Transducer, 3" NPT, PC/PET Body, 10 ft. cable
DST-3431-M	1.25-50 ft. range , Ceramic Transducer, 3" NPT, PC/PET Body, M12 micro-connector

DST ACCESSORIES

Please order separately, by part number.

Description	Part Number
4 Conductor over-molded extension cable with foil shield	
Straight, 2 m	135407-0002
Right Angle, 2 m	135407-1002
Straight, 5 m	135407-0005
Right Angle, 5 m	135407-1005
Order 1 controller per sensor	
DCR-1006A	125791
DCR-1006A-F	125791-0003

MODEL CONFIGURATIONS OPTIONS



Model Number: DST- _____ - _____
 A B

A. Model

- 2421** 1 - 25 ft range, Ceramic Transducer, PC/PET Blend Body
- 3431** 1.25 - 50 ft range, Ceramic Transducer, PC/PET Blend Body
- 5111** 4 - 72 in range, Ceramic Transducer, PC/PET Blend Body
- 9421** 0.5 - 35 ft range, Electrostatic Transducer, PC/PET Blend Body

B. Cable/Micro Connector

- C_** 2 conductor cable (indicate cable length. 10 ft. is standard)
- CX_†** Coaxial cable (indicate cable length. 10 ft. is standard)
- M** Micro connector (note: Mating connector cable sold separately)

Note: †Can only be used with DCR-1006A-F, with F connector.