

Description

UTY6 Intelligent temperature gauge is made with entire electronic structure, and uses battery as power supply. It is easy for field installation. UTY6 adopts high precise thermal resistor Pt100 as sensing element, and its LCD indicator displays the actual temperature reading directly. To save battery life, it has automatic turn-off function in 1~15min if there is no operation.

UTY6 intelligent temperature gauge is widely used in such industries as water and electricity, chemical, and machinery, for the measurement and demonstration of fluid medium's temperature.



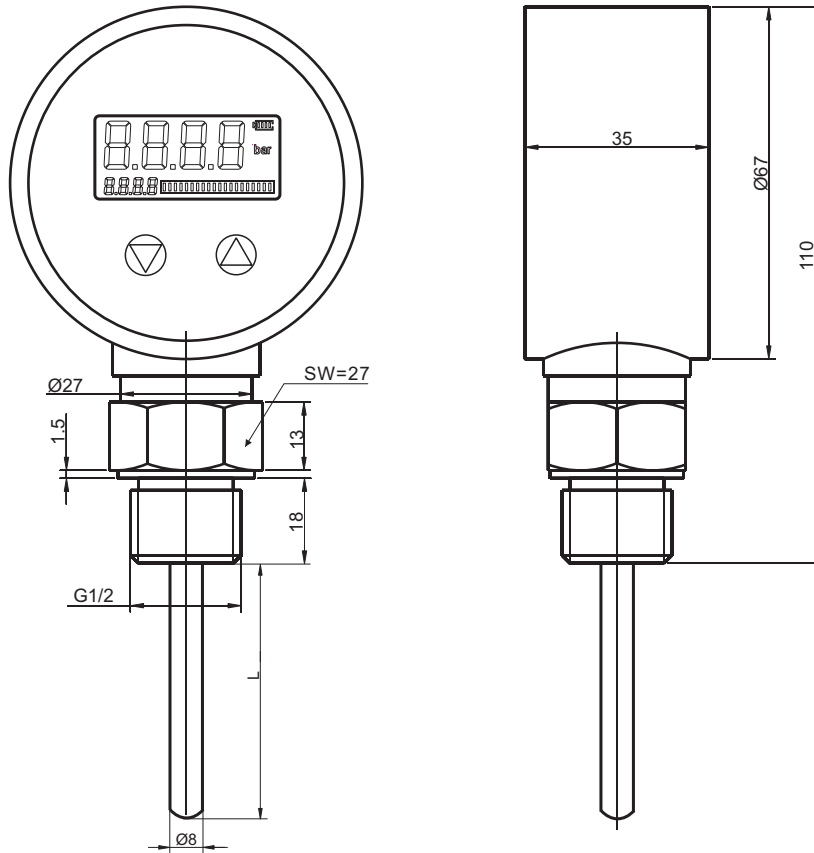
Features

- LCD display, without apparent value error
- Peak value recording function, record the max. temperature value during measuring process
- Temperature percentage dynamic demonstration (progress strip demonstration)
- 1~15min automatic turn-off function
- Micro power loss function, can work above 2 years in the electricity saving pattern.

Specifications

| | |
|---------------------------|---|
| measurement medium | gas or liquid compatible to stainless steel |
| temperature ranges | -200...+500°C |
| temperature sensor | PT100 |
| accuracy | 0.5%FS |
| LCD display | 4-digit |
| display range | -1999~9999 |
| sampling speed | 1 times/second |
| long-term stability | <0.2%FS/year |
| battery power supply | 9V DC |
| ambient temperature range | -30~+80°C |
| insulation resistance | 100MΩ@50VDC |
| process connection | G1/2 or others |
| material of housing | ABS plastic |
| material of wetted part | 1Cr18Ni9Ti |
| Insert stem diameter | 8mm(standard) |

Dimensions



Ordering code

| UTY6 | | | |
|-----------|--|---------------------|----|
| range | measuring range: -200~+500°C | | |
| (X1~X2)°C | X1: lower limit of actual measuring range, X2: higher limit of factual measuring range | | |
| | code | process connector | |
| | P1 | G1/4" | |
| | P2 | G1/2" | |
| | P4 | M20×1.5 | |
| | P5 | 1/2"NPT | |
| | Pz | customer request | |
| | | insert length L(mm) | |
| UTY6 | (0~100)°C | P2 | 50 |