

CAST IRON

Valve Body Selection

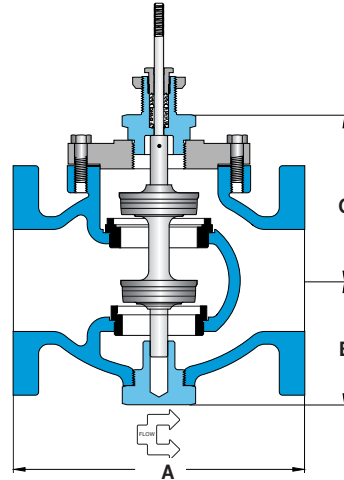
(for 940 Series Heavy Duty Control Valve)

Double Seat • 1½" – 8"

All dimensions are nominal. Dimensions in [] are in millimeters.



Stem In-to-Close (fail-open)



Note: Drawing depicts flanged connections; 1½" & 2" valves have threaded connections.

CONTROL VALVES

Size	Class 125			Class 250		
	A	B	C	A	B	C
1½"	x	x	x	7.4 [188]	3.8 [97]	4.5 [114]
2"	x	x	x	7.4 [188]	3.8 [97]	4.5 [114]
2½"	7.8 [198]	4.0 [102]	4.9 [124]	8.4 [213]	4.0 [102]	4.9 [124]
3"	9.0 [229]	4.3 [109]	5.3 [135]	9.8 [249]	4.3 [109]	5.3 [135]
4"	11.4 [290]	4.9 [124]	6.6 [168]	12.0 [305]	4.9 [124]	6.6 [168]
5"	12.0 [305]	6.7 [170]	7.6 [193]	12.9 [328]	6.7 [170]	7.6 [193]
6"	14.1 [358]	7.4 [188]	8.5 [216]	14.5 [368]	7.4 [188]	8.5 [216]
8"	16.3 [414]	8.7 [221]	9.6 [244]	16.3 [414]	8.7 [221]	9.6 [244]

Specifications

Body Material	Trim Material	Trim Style	Close-off	Connection	Pressure & Temperature Rating
Cast-iron	Stainless steel	Equal percentage	Class II	1½"-2": Threaded 2½"-8": Class 125 flanged 1½"-8": Class 250 flanged	280 PSI @ 350°F (177°C) 140 PSI @ 300°F (149°C) 310 PSI @ 300°F (149°C)

Valve Body Selection

In-To-Close (fail-open)				Maximum Close-Off Pressure (psid)		Approximate Shipping Wt.
Valve Body Number Class 125	Size		C _v	Actuator		
	Connection (Flanged)	Nominal Port		940B	940B w/Positioner	
K73	2½"	2½"	70	140	140	32 lbs [14.5 kg]
K78	3"	3"	100	140	140	42 lbs [19.1 kg]
K83	4"	4"	200	93	140	77 lbs [34.9 kg]
K88	5"	5"	260	49	140	124 lbs [56.2 kg]
K93	6"	6"	350	18	140	169 lbs [76.7 kg]
K98	8"	8"	680	x	140	290 lbs [131.5 kg]

In-To-Close (fail-open)				Maximum Close-Off Pressure (psid)		Approximate Shipping Wt.
Valve Body Number Class 250	Size		C _v	Actuator		
	Connection (Flanged)	Nominal Port		940B	940B w/Positioner	
L50	1½" NPT	1½"	30	280	280	19 lbs [8.6 kg]
L61	2 NPT	2"	42	280	280	19 lbs [8.6 kg]
L73	2½"	2½"	70	250	310	42 lbs [19.1 kg]
L78	3"	3"	100	180	310	54 lbs [24.5 kg]
L83	4"	4"	200	93	310	96 lbs [43.5 kg]
L88	5"	5"	260	49	310	162 lbs [73.5 kg]
L93	6"	6"	350	18	310	220 lbs [99.8 kg]
L98	8"	8"	680	x	310	380 lbs [172.4 kg]

Valve Body Selection

(for 940 Series Heavy Duty Control Valve)

CAST IRON

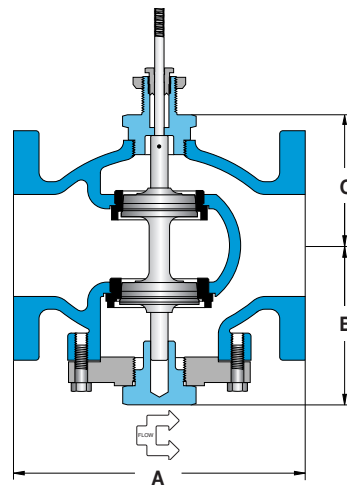
Double Seat • 1½" – 8"

All dimensions are nominal. Dimensions in [] are in millimeters.



CONTROL VALVES

Stem In-to-Open (fail-closed)



Size	Class 125			Class 250		
	A	B	C	A	B	C
1½"	x	x	x	7.4 [188]	3.8 [97]	3.9 [99]
2"	x	x	x	7.4 [188]	3.8 [97]	3.9 [99]
2½"	7.8 [198]	4.7 [119]	4.1 [104]	8.4 [213]	4.7 [119]	4.1 [104]
3"	9.0 [229]	4.9 [124]	4.4 [112]	9.8 [249]	4.9 [124]	4.4 [112]
4"	11.4 [290]	6.3 [160]	5.2 [132]	12.0 [305]	6.3 [160]	5.2 [132]
5"	12.0 [305]	6.7 [170]	7.6 [193]	12.9 [328]	6.7 [170]	7.6 [193]
6"	14.1 [358]	7.4 [188]	8.5 [216]	14.5 [368]	7.4 [188]	8.5 [216]
8"	16.3 [414]	8.7 [221]	9.6 [244]	16.3 [414]	8.7 [221]	9.6 [244]

Note: Drawing depicts flanged connections; 1½" & 2" valves have threaded connections.

Specifications

Body Material	Trim Material	Trim Style	Close-Off	Connection	Pressure & Temperature Rating
Cast-iron	Stainless steel	Equal percentage	Class II	1½"-2": Threaded 2½"-8": Class 125 flanged 2½"-8": Class 250 flanged	280 PSI @ 350°F (177°C) 140 PSI @ 300°F (149°C) 310 PSI @ 300°F (149°C)

Valve Body Selection

In-To-Open (fail-closed)				Maximum Close-Off Pressure (psid)		Approximate Shipping Wt.
Valve Body Number Class 125	Size		C _v	Actuator		
	Connection (Flanged)	Nominal Port		940B	940B w/Positioner	
K74	2½"	2½"	70	140	140	32 lbs [14.5 kg]
K79	3	3"	100	140	140	42 lbs [19.1 kg]
K84	4	4"	200	93	140	77 lbs [34.9 kg]
K89	5	5"	260	49	140	124 lbs [56.2 kg]
K94	6	6"	350	18	140	169 lbs [76.7 kg]
K99	8	8"	680	x	140	290 lbs [131.5 kg]

In-To-Open (fail-closed)				Maximum Close-Off Pressure (psid)		Approximate Shipping Wt.
Valve Body Number Class 250	Size		C _v	Actuator		
	Connection (Flanged)	Nominal Port		940B	940B w/Positioner	
L55	1½" NPT	1½"	30	280	280	19 lbs [8.6 kg]
L66	2 NPT	2"	42	280	280	19 lbs [8.6 kg]
L74	2½"	2½"	70	250	310	42 lbs [19.1 kg]
L79	3	3"	100	180	310	54 lbs [24.5 kg]
L84	4	4"	200	93	310	96 lbs [43.5 kg]
L89	5	5"	260	49	310	162 lbs [73.5 kg]
L94	6	6"	350	18	310	220 lbs [99.8 kg]
L99	8	8"	680	x	310	380 lbs [172.4 kg]