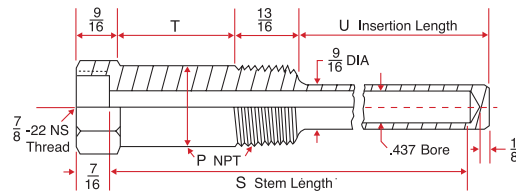
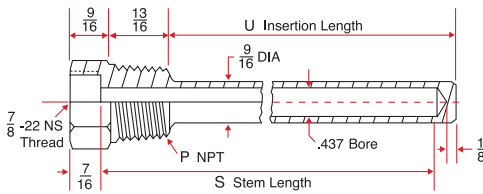


116 Series Projectile & Sanitary Thermowells



116 Series Thermowells

.437" Diameter Bore, 7/8"-22 NS Internal Thread. For use with Palmer 7AA Industrials.

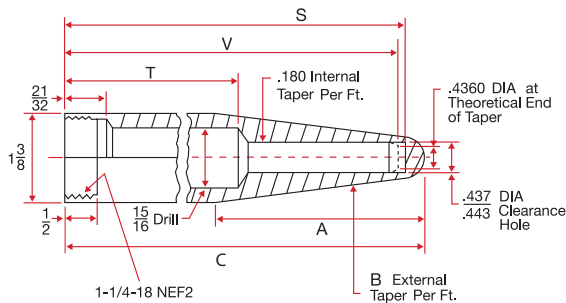


Threaded Regular: Series 1160			
"S" Stem Length	"U" Insertion Length	"P" NPT External Thread Size	
		1/2" - 14	3/4" - 14
2-1/4"	1-1/2"	1160-102	1160-202
3-3/4"	3"	1160-103	1160-203
4-3/4"	4"	1160-104	1160-204
6"	5-1/4"	1160-106	1160-206

Threaded Regular - Lagging Extension: Series 1161				
"S" Stem Length	"U" Insertion Length	"T" Lagging Extension	"P" NPT External Thread Size	
			1/2" - 14	3/4" - 14
3-3/4"	2"	1"	1161-103	1161-203
4-3/4"	2-1/2"	1-1/2"	1161-104	1161-204
6"	3-1/4"	2"	1161-106	1161-206
"P" Diameter			.840	1.05

Projectile Thermowells

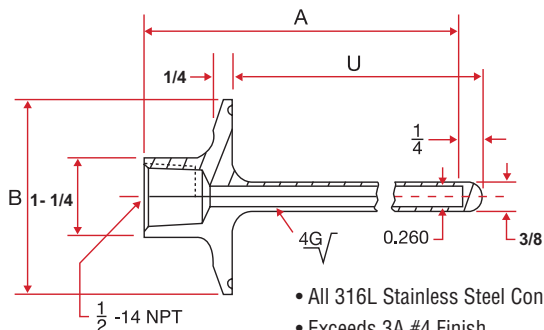
.437" Diameter Tapered Bore, .180" Taper per foot, 1-1/4"-18 NEF2 Internal Thread. For use with Industrials and Cleanliner Thermometers, and Digi-Stem 5/8" diameter with 1-1/4"-18 NEF.



Projectile Wells: Series 26P							
Model Number	Stem Length	"A" External Taper Length	"B" Taper Per Foot	"C" Overall Length	"S" Stem Length	"T" Clearance Hole	"V" Theoretical End of Taper
26P397	9-1/8"	3-1/4"	3.062"	10-1/8"	9-49/64"	7-3/16"	9-21/32"
26P398	12-1/8"	3-3/4"	2.625"	13-1/8"	12-49/64"	10-3/16"	12-21/32"

Sanitary Thermowells

.260" Diameter Bore, 1/2"-14 NPT Internal Thread. For use with All Sanitary Thermometers.



- All 316L Stainless Steel Construction
- Exceeds 3A #4 Finish
- Fast Installation & Removal from Process
- Food Processing
- Beverage Industry
- Pharmaceutical Processing



Sanitary Wells: Series 1128				
Tri-Clamp Size	"A" Stem Length	Part Number	"U" Insertion Length	"B" Flange Diameter
1-1/2"	2-1/2"	1128-152-05	1-5/8"	1.984"
	4"	1128-154-05	2-1/2"	
	6"	1128-156-05	4-1/2"	
	9"	1128-159-05	7-1/2"	
2.0"	2-1/2"	1128-202-05	1-5/8"	2.516"
	4"	1128-204-05	2-1/2"	
	6"	1128-206-05	4-1/2"	
	9"	1128-209-05	7-1/2"	
2-1/2"	2-1/2"	1128-252-05	1-5/8"	3.047"
	4"	1128-254-05	2-1/2"	
	6"	1128-256-05	4-1/2"	
	9"	1128-259-05	7-1/2"	
3.0"	2-1/2"	1128-302-05	1-5/8"	3.579"
	4"	1128-304-05	2-1/2"	
	6"	1128-306-05	4-1/2"	
	9"	1128-309-05	7-1/2"	



Specifications subject to change without notice. For Pressure Ratings see www.palmerwahl.com/thermowells.php