

## Description

UPX3351 metallic capacitive pressure sensor uses two plate capacitors as sensitive elements. The sensor is a complete welded-sealing module, the processing pressure is transmitted to the diaphragm of sensitive element through isolated diaphragm and filled silicon oil, to cause the capacity boards displacement to change, thus makes the changes of capacitive signal.

UPX3351 can output capacitance signal directly, simultaneously the amplified circuit can also be installed in sensor's neck, to make it have 4~20mA standard output signal.

UPX3351 is widely used in drugs manufacturing, food industry as well as environmental protection etc.



## Features

- All-welded structure, suitable for measuring many kinds of media
- Isolated diaphragm material: 316L, Hastelloy-C, Monel, Tantalum
- Measuring ranges: -100...0kPa~1.6kPa...40MPa
- System pressure up to 312bar for differential applications
- Pressure type: gauge pressure, absolute pressure, micro differential pressure and differential pressure

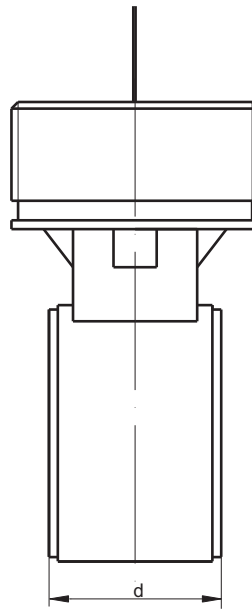
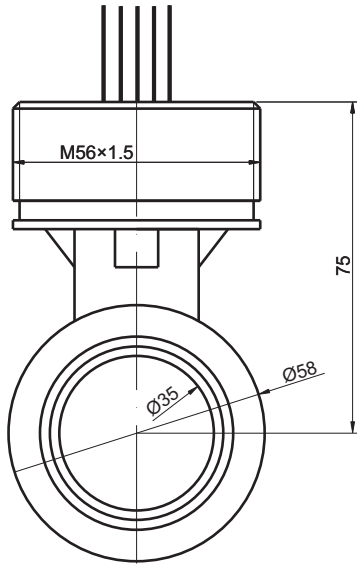


sensor with flange

## Specifications

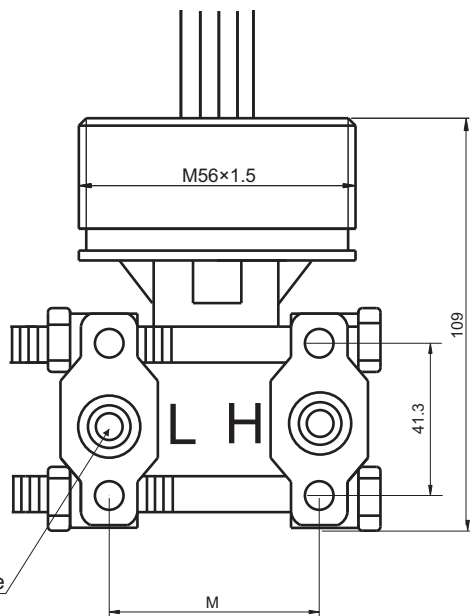
pressure medium	gas or liquids compatible with 316L, Hastelloy-C, Tantalum or Monel
pressure ranges	-100...0kPa~1.6kPa...40000kpa
pressure type	gauge(G), absolute(A), differential(D)
system pressure	10MPa for differential pressure, 4MPa for micro differential pressure 32MPa for high system pressure differential pressure,
output signal	capacitive signal or 4~20mA
accuracy	±0.2%FS(standard), 0.5%FS
long-term stability	<0.2%FS/year
system pressure effect on zero	0.5%FS
operating temperature range	-40~+100°C
storage temperature range	-40~+120°C
temperature coefficient of zero	0.25%FS/55°C
temperature coefficient of span	0.5%FS/55°C
insulation resistance	500MΩ@100VDC
diaphragm material	316L, option: Hastelloy-C, Tantalum or Monel
electrical interface	5 colored PVC wires of differential capacitive signal and temperature signal 2 colored PVC insulated wires of 4~20mA current loop
filled oil	silicone oil

## Dimensions



thickness of UPX3351

range	2	3	4	5	6	7	8	9	0
d(mm)	35.6	37.0	37.4	39.0	40.1				



range code	2,3,4,5	6	7	8	9 0
M(mm)	54	55.4	55.8	57.4	58.5

## Electrical connection

### connection

High pressure side  
 Low pressure side  
 common  
 temp. signal "+"  
 temp. signal "-"

### cable color

red  
 white  
 black  
 green  
 blue



# UPX3351 Metal Capacitive Differential Pressure Sensor

## Ordering code

UPX3351			
<b>code</b>	<b>pressure range &amp; type</b>		
2	0~0.16...1kPa for VDP( very low differential pressure transmitter)		
3	0~1...6kPa for DP(differential pressure transmitter),GP(gauge pressure transmitter)		
4	0~6...40kPa for DP, GP, AP(absolute pressure transmitter), HDP (high system pressure transmitter)		
5	0~40...200kPa for DP, GP, AP, HDP		
6	0~0.16...1MPa for DP, GP, AP, HDP		
7	0~0.4...2.5MPa for DP, GP, AP, HDP		
8	0~1.6...8MPa for DP, GP, AP		
9	0~4...20MPa for GP		
0	0~6...40MPa for GP		
<b>code</b>	<b>system pressure(for differential pressure transmitter)</b>		
1	1MPa for VDP		
4	4MPa for VDP,DP		
10	10MPa for DP		
25	25MPa for HDP		
32	32MPa for HDP		
<b>code</b>	<b>flange</b>		
Y	need flange		
N	no need flange		
<b>code</b>	<b>output</b>		
Oc	differential capacitive signal and temperature signal		
O1	4~20mA(HART protocol option)		
<b>materials</b>			
<b>code</b>	<b>flange, exhaust valve</b>	<b>code</b>	<b>diaphragm</b>
31	304SS,304SS	12	316L SS
32	316SS, 316SS	13	Hastelloy-C
		14	Tantalum
		15	Monel
UPX3351	5	10	Y Oc 31 12