

Description

UPB7-b foil strain gauge pressure transmitter is made without cavity, but with flush diaphragm. The design of no cavity measuring diaphragm makes it especially suitable for measuring the viscous liquids. The installation of this product adopts the advanced modified structure, make the product has a good aseismic capacity. Using a variety of amplifier circuits with distinctive features, such as anti-jamming, high temperature resistant and explosion-proof etc, UPB7-b series products are used in a variety of work environments.

UPB7-b is widely used in mud, cement, crude oil and other industries with granular fluid, as well as in measuring situations with high viscosity and easy crystallization.



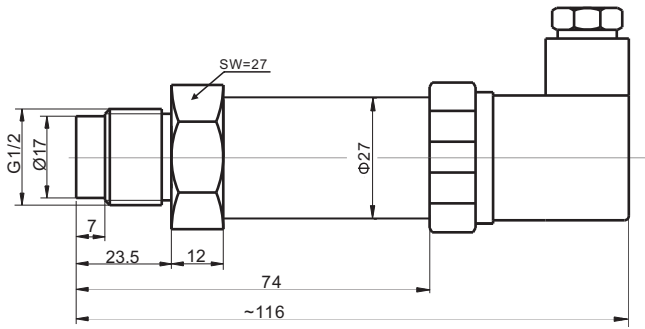
Features

- range up to 1500bar
- flush diaphragm structure
- Anti-corrosion, anti-attrition, anti-impact
- Suitable for the measurement of middle pressure and high pressure

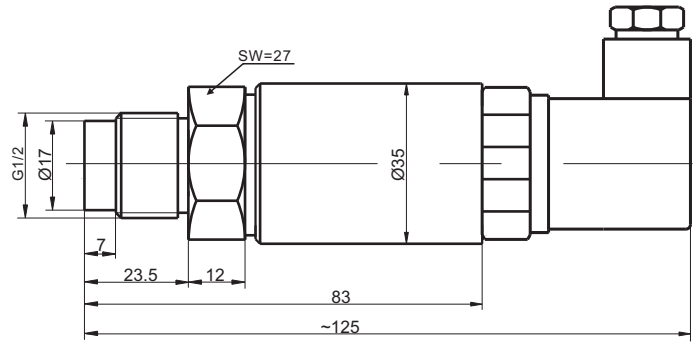
Specifications

pressure medium	gas or liquid compatible to 17-4PH stainless steel
pressure ranges	0~40bar...1500bar
overload pressure	150%FS
output signal	4~20mA, 0~5V, 0~10V, 1~5V
accuracy	0.25%FS (range lower 3000bar), 0.5%FS (range 3000bar or higher)
load resistance	$RL=(U-9V)/0.02A$ (4~20mA current output) U—loop voltage (V)
supply voltage	9~36VDC
compensated temperature range	0~+70°C
operating temperature range	-40~85°C (-40~120°C optional)
temperature coefficient of zero	0.25%FS/10°C
temperature coefficient of span	0.25%FS/10°C
process connection	G1/4 or others
electrical connection	hirschmann or others
material of wetted part	17-4PH
material of pressure membrane	17-4PH
material of housing	1Cr18Ni9Ti

Dimensions



Range: 40~1000bar



Range: 1000~1500bar

Electrical connection

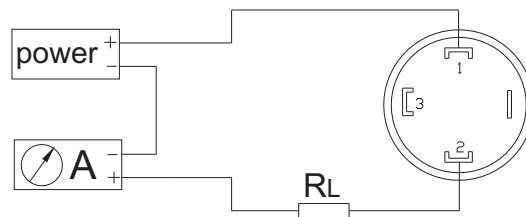
Connection Cable color(pin)

Power“+”

Red(1)

Signal“+”

Yellow(2)



Wiring drawing of 2-wire 4~20mA output (hirschmann connector)

Ordering code

UPB7-b	
range	measuring range: 0~40bar...1500bar
(0~X)bar	X: actual measuring range
code	accuracy
C	0.25%FS
D	0.5%FS
code	output
O1	4~20mA
O2	0~5V
O4	0~10V
Oz	customer request
code	process connector
P1	G1/4
P2	G1/2
P4	M20×1.5
Pz	customer request
code	electrical connection
E1	hirschmann connector
E2	aviation connector
E3	shielded PVC cable
Ez	customer request
UPB7-b	(0~100)bar D O1 P1 E1