

Features

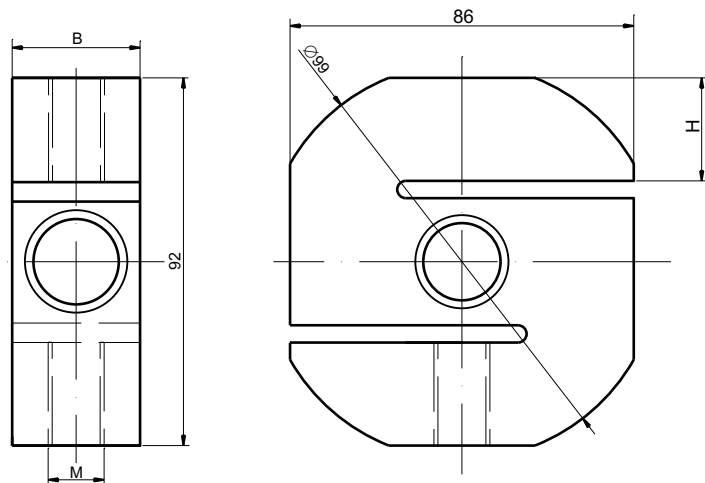
- Capacity: 0.5t~7.5t
- Stainless steel material, welded sealing, oil-proof, water-proof, anti-corrosion
- S type, compression & tension measurement, easy installation
- Explosive-proof, suitable for bad conditions & dangerous work sites



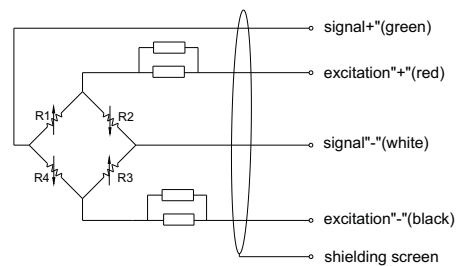
Specifications

capacity	0.5t/1t/2t/3t/4t/5t/6t/7.5t
output	2±0.004mV/V
combined error	0.02%FS (option: OIML C3)
non-linearity	±0.02%FS
hysteresis	±0.02%FS
repeatability	±0.01%FS
creep	±0.012%FS/30min
zero unbalance	1.5%FS
excitation voltage	5VDC~12VDC
operating temperature range	-35~+65°C
comperature temperature range	-10~+40°C
temperature coefficient of zero	0.010%FS/10°C
temperature coefficient of span	0.009%FS/10°C
input resistance	360±10Ω
output resistance	350±10Ω
insulation resistance	≥5000MΩ@50VDC
safe overload	120%FS
ultimate overload	150%FS
protection	IP68
electrical interface	4-core shielded cable, diameter:5mm, length:3m(0.5t);6m(1t~7.5t)

Dimensions



Electrical connection



Capacity(t)	B	H	M
0.5,1	32	25	M12x1.75
2,3	32	25	M20x1.5
4	36	25	M20x1.5
5~7.5	50	24	M24x2