

## Description

UPB2S sanitary pressure transmitter measures pressure through its front complete flush diaphragm. By means of welding method, the isolated diaphragm of the transmitter is welded on the front end of process interface. UPB2S has clamping type, G1/2 thread type, and flange type for options. The complete flush diaphragm is used to prevent fouling, unsanitary and blocking of viscous liquids.

UPB2S is widely used in sanitary industry for pressure measurement like food, medicine, health and wine industry etc.



## Features

- Pressure ranges: -1...0~0.1...350bar
- Flush membrane structure without input pressure hole & cavity
- The isolated diaphragm of the transmitter is welded
- High accuracy, high strength, sanitary type, against fouling, dimensions can be customized.
- Has different output signals
- Pressure type: gauge pressure, absolute pressure, sealed gauge pressure

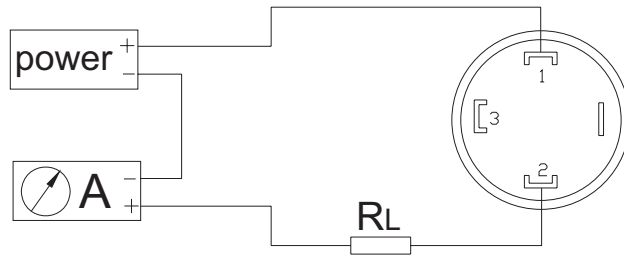
## Specifications

pressure medium	gas or liquid compatible with stainless steel
pressure ranges	-1...0~0.1...350bar
overload pressure	150%FS
output signal	4~20mA, 0~5V, 0~10V, 1~5V
accuracy	0.25%FS(standard),0.5%FS
load resistance	$R_L = (U - 12V) / 0.02A$ (4~20mA current output) U—loop voltage (V)
long-term stability	<0.2%FS/year
supply voltage	12~36VDC
compensated temperature range	0~70°C
operating temperature range	-30~+85°C
measured media temperature range	-40~+125°C (max. up to 150°C if made with heat sink)
temperature coefficient of zero	0.2%FS/10°C
temperature coefficient of span	0.2%FS/10°C
insulation resistance	100MΩ@50VDC
process connection	G1/2 or others
electrical connection	hirschmann connector or others
material of wetted part	316 stainless steel
material of pressure membrane	316L stainless steel
material of housing	1Cr18Ni9Ti stainless steel

## Electrical connection

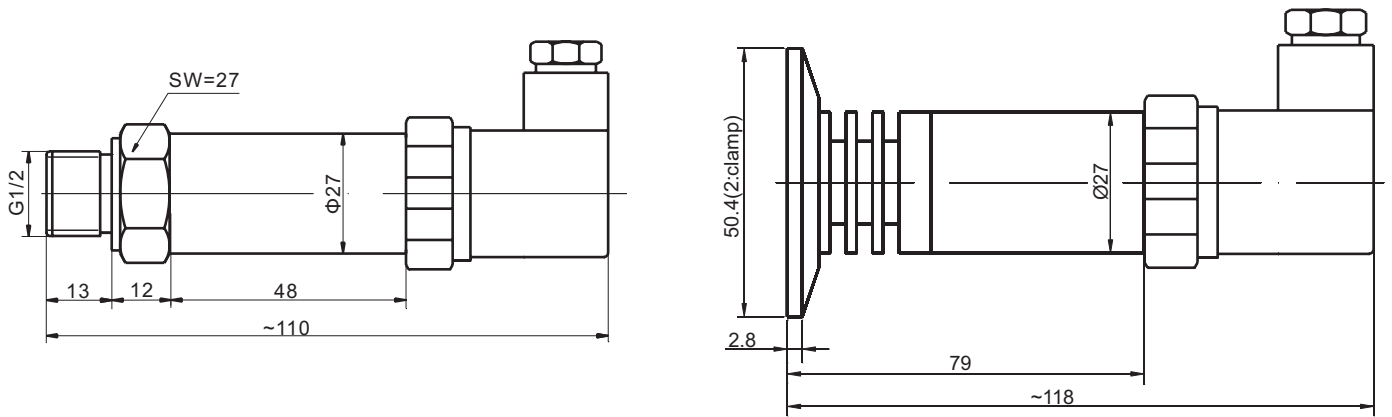
**Connection**    **Cable color(pin)**

Power“+”            Red(1)  
Signal“+”            Yellow(2)



Wiring drawing of two-wire 4~20mA output (hirschmann)

## Dimensions



## Ordering code

UPB2S							
	range	measuring range: -1...0~0.1...350bar					
	(X1~X2)bar	X1: lower limit of actual measuring range,X2:higher limit of actual measuring range					
		code	output				
		O1	4~20mA				
		O2	0~5V				
		O3	1~5V				
		O4	0~10V				
		Oz	customer request				
			code	accuracy			
			C	0.25%FS			
		D	0.5%FS				
			code	process connection			
			P2	G1/2			
			P4	M20×1.5			
			Pc	2" clamp			
			Pz	customer request			
				code	electrical connection		
				E1	hirschmann connector		
				E2	aviation connector		
				E3	shielded PVC cable		
				Ez	customer request		
UPB2S	(0~200)bar	O1	D	P2	E1		