

Quick Start PPS Series



PPS - H Series



PPS - V Series



CORROSION

Safety Information

Gauges are not to be subject to water hammer or pressure spikes!

⚠ WARNING!

Before installation be certain the appropriate gauge has been selected considering operating pressure / full scale pressure / proof pressure, wetted material requirements, media compatibility, operating temperature, vibration, pulsation, desired accuracy and any other gauge component related to the service application (including the potential need for protective attachments and/or special installation requirements). Failure to do so could result in equipment damage, gauge failure and/or personal

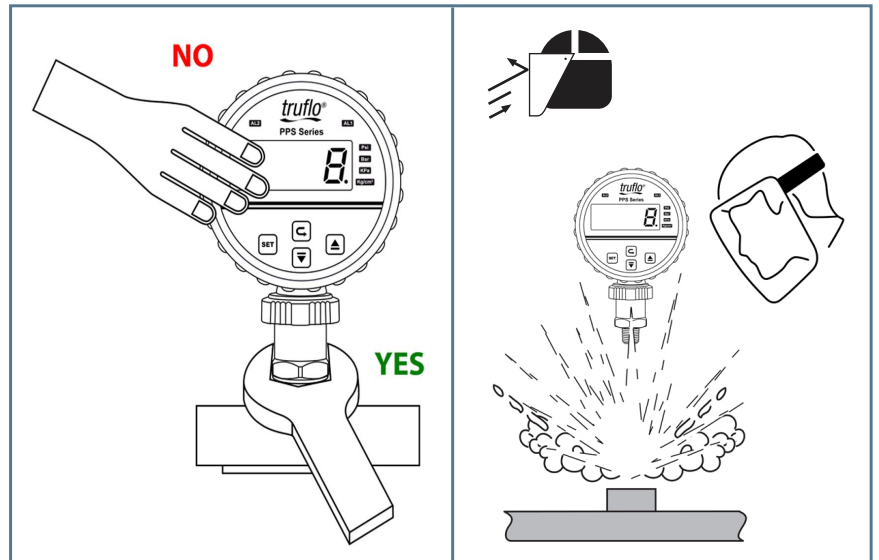
Installation

⚠ IMPORTANT!

When installing the gauge connection into the application, use the wrench area to thread in and tighten the gauge. Do not use the gauge case to install the gauge.

This could result in loss of accuracy, excessive friction, or mechanical damage to the pressure element or gauge case. The gauge connection must be compatible with the mating connection and must be assembled appropriately. If the mating parts do not seal completely, a sealing material may be considered.

⚠ IMPORTANT!



Pressurize System Warning

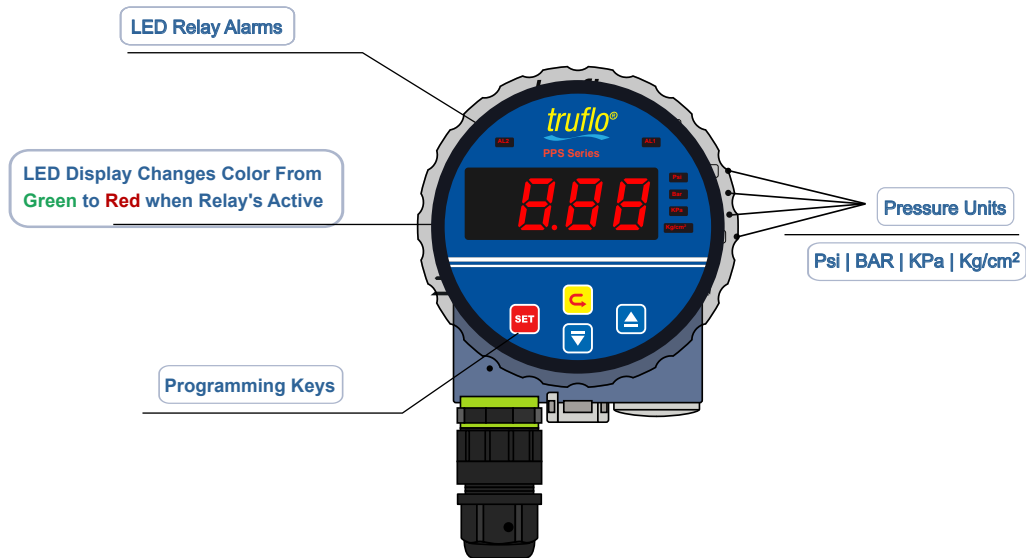
Sensor may be under pressure, take caution to vent system prior to installation or removal. Failure to do so may result in equipment damage and/or serious injury.

Personal Protective Equipment (PPE)

Always utilize the most appropriate PPE during installation and service of Truflor products.



Read the User's Manual Carefully. Manufacturer Reserves the Right to Implement Changes Without Prior Notice.



Specifications

Sensor Diaphragm	Ceramic AL ₂ O ₃ 96%
Measured Fluids	H ₂ O Liquid Chemicals Gases
Process Temperature	-40 - + 257° F ** -40 - +125°C**
Accuracy	±1.0% of F.S. @ 25°C max.
Repeatability	< ±0.5% FS max.
Operating Voltage	10-30VDC
Current Consumption	60mA max.
Pressure Unit	Psi Bar KPa Kg/cm ²
Display	0-9999 Green Red
Alarm Display	0-9999 Red
Communication	RS-485 RTU*
Transmitter Output	4-20mA 0-10V*
Relay Outputs	2 x 5 Amp 250 VAC 2 x NPN* 2x PNP*
Current Output	150mA max.
Over Pressure	200% of FS min.
Burst pressure	300% of FS min.
Zero Drift	@ 20°C ± 0.03% FSO
Sensitivity Drift	@ 20°C ± 0.03% FSO
Output Resistance	50Ω max.
Thermal Drift	± 0.03 % FS /°C
Materials	PP PVDF 316 SS
Material of Construction	PC GFPP 316 SS PP PVDF
Protection Class	IP66 General Purpose
Approval	cULus CE RoHS

*Optional ** Material Dependent

Display Navigation

Home Screen	Press SET 3 sec
Relay Set Points	Press SET 3 sec to Set Alarm Value
Communication Setting RS-485	Press SET 3 sec
Zero Point Reset	Press 3 sec **NOTE: Can only be accessed if Lock Setting is set to 11
Transmitter Range	Press 3 sec to Program

Programming Range 4mA | 20mA

4mA = 0 | Default
20mA = 100 | Default**

This can be Changed to Conform to Customers Application. Example Number Changed to max Pressure by following steps to the right.



Programming

STATUS	DISPLAY	RANGE	DESCRIPTION
Home Screen Press & Hold SET + 3 secs			Current Pressure Value
Lock Setting SET Press To Change Value		0 - 99	Factory Unlocked: Lock = 10 **NOTE: If Lock # is Changed from the # 10 the Meter will be in Lockout Mode. If Lock Setting is set to 11, you can Only Change Zero Point.
Pressure Unit Selection SET Press To Change Value		0 - 3	ut.0 = Bar ut.1 = Kg/cm2 ut.2 = PSI Default ut.3 = KPa
Alarm Selection SET Press To Change Value		0 - 4	Refer to Alarm Mode Description Below
Alarm Delay Selection SET Press To Change Value		0 - 2	dn = 0 = Power on Delay dn = 1 = Alarm Delay dn = 2 = Power on + Alarm Delay
Alarm Time Delay SET		0 - 99	Delay Time Secs

Setting Relays

STATUS	DISPLAY	RANGE	DESCRIPTION
Home Screen Press & Hold SET 3 secs			Current Pressure Value
Alarm AL1 Setting Press SET → Press ▲ ▼ To Change Value		0 - 9999	Set Point for Relay 1
Alarm AL2 Setting Press SET → Press ▲ ▼ To Change Value		0 - 9999	Set Point for Relay 2 **NOTE: AL2 must be set higher than AL1 If AL2 < AL1 PV will display Error while press SET key
Alarm Hysteresis Press SET → Press ▲ ▼ To Change Value		0 - 9999	Program Hysteresis of Relay Output

Alarm Output

Mode	Description
ALt.0	No Alarm
ALt.1	
	CV > (AL1) → R1/AL1 ON ; CV < (AL1 - H) → R1/AL1 OFF CV > (AL2) → R2/AL2 ON ; CV > (AL2+H) → R2/AL2 OFF
ALt.2	
	CV < (AL1 - H) → R1/AL1 ON ; CV > AL1 → R1/AL1 OFF CV > (AL2 + H) → R2/AL2 ON ; CV < AL2 → R2/AL2 OFF
ALt.3	
	CV > AL1 → R1/AL1 OFF ; CV < (AL1 - H) → R1/AL1 ON CV > AL2 → R2/AL2 OFF ; CV < (AL2 - H) → R2/AL2 ON
ALt.4	
	CV > (AL1) → R1/AL1 ON ; CV < (AL1 - H) → R1/AL1 OFF CV > AL2 → R2/AL2 ON ; CV < (AL2 - H) → R2/AL2 OFF

Legend

R1 - Relay 1 R2 - Relay 2 AL1 - Alarm 1 AL2 - Alarm 2 H - Hysteresis CV - Current Value

Display

Alarm Status	Alarm OFF	Alarm 1 Alarm 2 ON
Home Screen	Green	Red

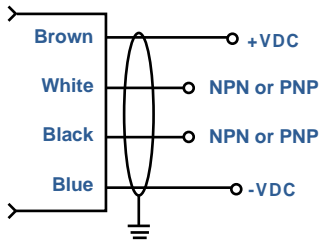
Wiring

DC Power Only

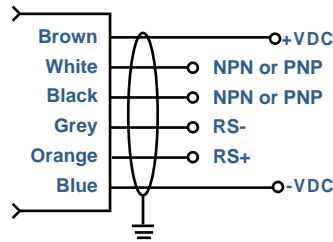
PNP NPN Output	Relay Output	PNP NPN Output RS-485	NPN PNP Output 4~20mA or 0~10V	Relay Output 4~20mA or 0~10V
Brown : +V White : PNP or NPN Blue : OV Black: PNP or NPN	Brown : +V Black : R1 Blue : OV White : R2 Gray : Com	Brown : +V White : NPN or PNP Blue : OV Black : NPN or PNP Gray : RS Orange : RS+	Brown : +V White : NPN or PNP Blue : OV Black : NPN or PNP Gray : RS Orange : mA	Brown : +V Black : R1 Blue : OV Black : R2 Gray : Com Orange : mA

PPS - H

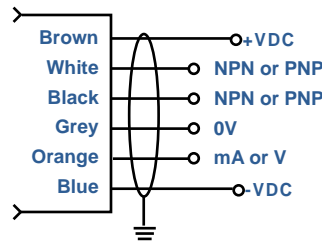
• PNP or NPN Output



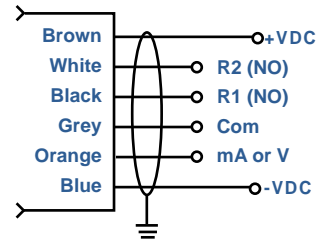
• PNP or NPN Output with RS-485



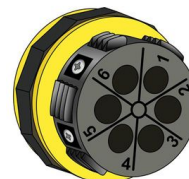
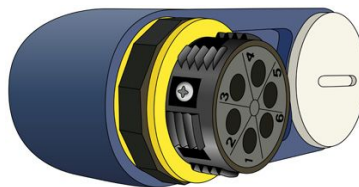
• NPN or PNP Output with 4~20mA or 0~10V



• Relay Output with 4~20mA or 0~10V



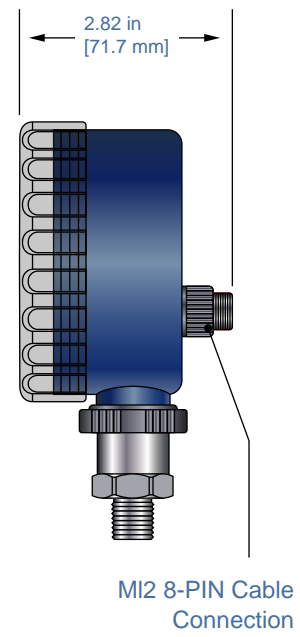
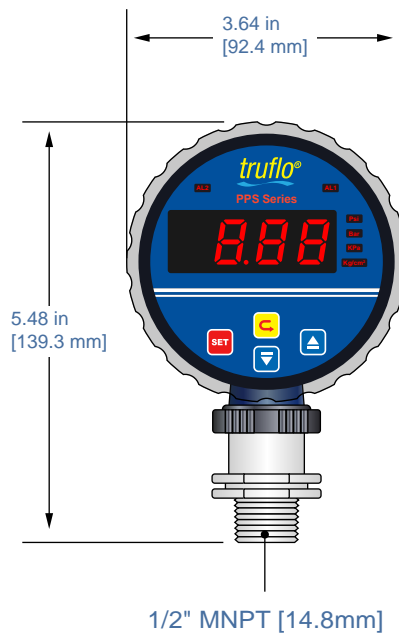
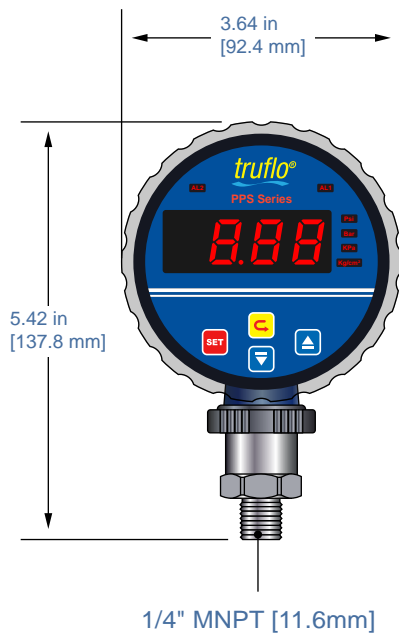
PPS - V



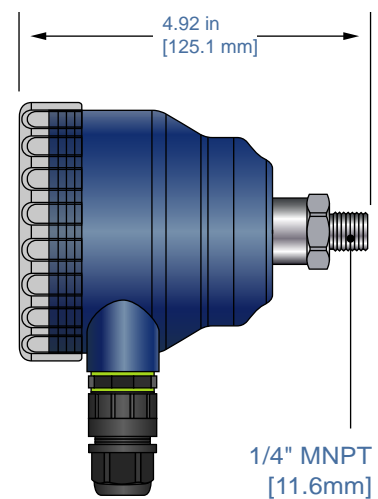
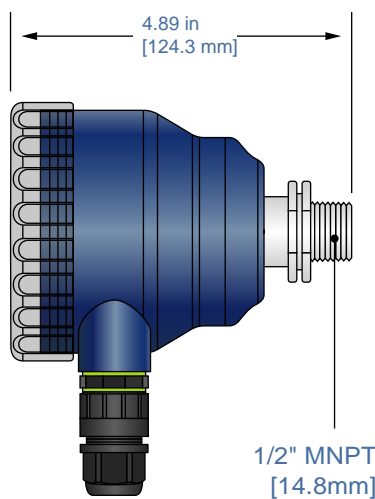
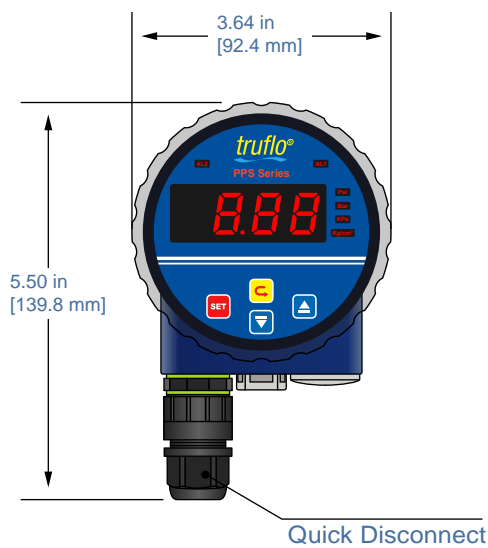
PIN ASSIGNMENT	
PIN #	WIRING
PIN 1	+10-30VDC
PIN 2	Relay 2
PIN 3	-VDC
PIN 4	Relay 1
PIN 5	COM
PIN 6	mA+ or V

Dimensions

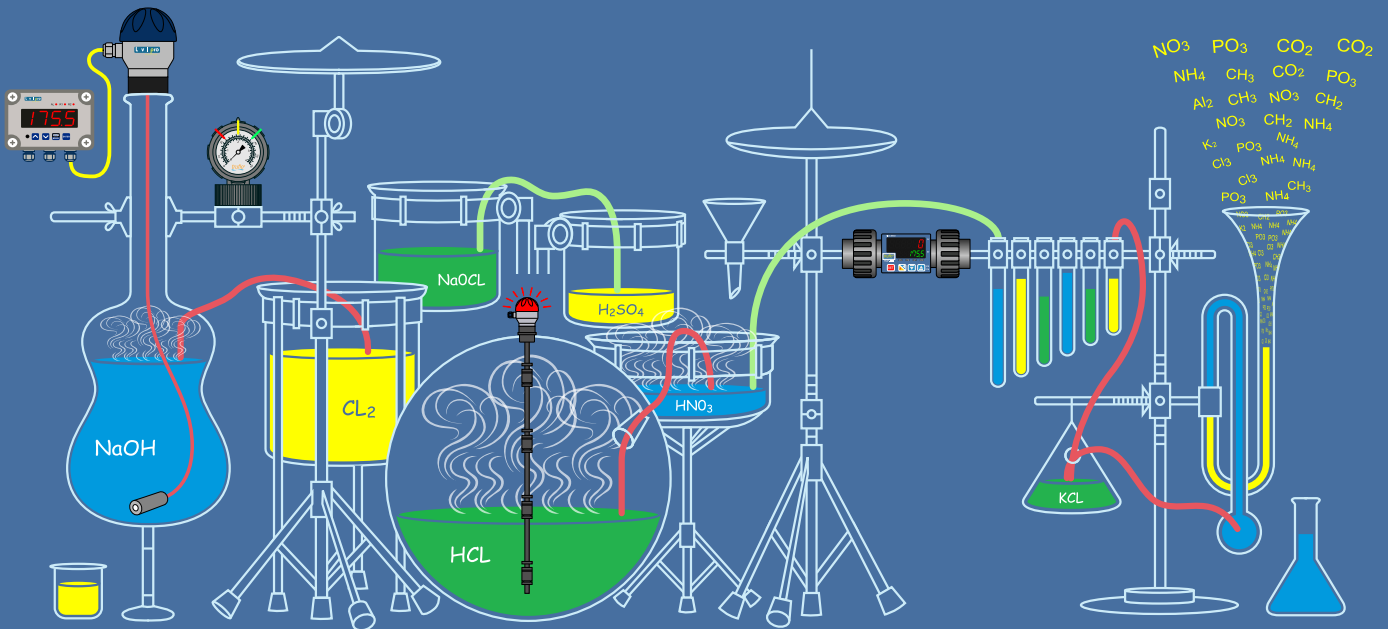
PPS - H Series



PPS - V Series



CORROSION



We Measure & Control
All Kinds of Corrosive Liquid S#*%

*Industry's Most Extensive Line of
Corrosion-Free Instrumentation Equipment*



Corrosion-Free
Instrumentation Equipment