



Description & Features:

- Liquid filled stainless steel case protects against extreme vibration and pulsation
- Lower back mount with front flange for panel mounting
- Bayonet ring
- Dual and single scale available (psi/kPa & psi only)
- Stainless steel wetted parts
- Restricted orifice standard on dual scale (optional on single scale)
- Safety glass
- ASME B40.100 compliant (EN837-1 available)
- CRN registered
- 5 year warranty

Applications:

- Outdoor and severe ambient and process conditions
- Use where harmful vibration and pulsation are present
- Panel builders in hydraulic equipment, oil field equipment, pumps, compressors and process industries

Specifications	
Dial	2.5" (63mm) white aluminum with black and red markings
Case	AISI 304 SS
Lens	Safety glass
Ring	AISI 304 SS
Socket	316L SS welded one-piece socket
Connection	1/4" NPT
Bourdon Tube	316L SS, drawn seamless
Movement	304 SS
Pointer	Aluminum, anodized black
Welding	Laser welded socket to case
Fill Liquid	Glycerin
Over-pressure Limit	25% for pressures up to 1,450 psi (9,998 kPa), 15% for pressures over 1,450 psi (9,998 kPa)
Fill Plug	Buna N (silicone rubber option)
Lens Ring Gasket	Buna N (silicone rubber option)
Working Pressure	Maximum 75% of full scale value
Ambient Temperature	Dry: -40°F to 250°F (-40°C to 120°C) Glycerin Filled: -4°F to 150°F (-20°C to 65°C)
Process Temperature	-40°F to 250°F (-40°C to 120°C)
Accuracy	±1.5% of full scale value
Enclosure Rating	NEMA 4X/IP66, EN60529-1 (IEC529-1)

Single Scale Order Codes (products in bold are normally stock in North America)

Dial Size	2.5" (63mm)
Connection	1/4" Back (LBM)
Movement, Socket, Tube	SS
30" Hg Vac	PFP3772R1
30"/0/15 psi	PFP3773R1
30"/0/30 psi	PFP3774R1
30"/0/60 psi	PFP3775R1
30"/0/100 psi	PFP3776R1
30"/0/150 psi	PFP3777R1
30"/0/200 psi	PFP3778R1
30"/0/300 psi	PFP3779R1
0/15 psi	PFP3780R1
0/30 psi	PFP3781R1
0/60 psi	PFP3782R1
0/100 psi	PFP3783R1
0/160 psi	PFP3784R1
0/200 psi	PFP3785R1
0/300 psi	PFP3786R1
0/400 psi	PFP3787R1
0/600 psi	PFP3788R1
0/1,000 psi	PFP3789R1
0/1,500 psi	PFP3790R1
0/2,000 psi	PFP3791R1
0/3,000 psi	PFP3792R1
0/5,000 psi	PFP3793R1
0/6,000 psi	PFP3794R1
0/7,500 psi	PFP3795R1
0/10,000 psi	PFP3796R1
0/15,000 psi	PFP3797R1
0/20,000 psi	PFP3798R1

Dual Scale Order Codes

Dial Size	2.5" (63mm)
Connection	1/4" Back (LBM)
Movement, Socket, Tube	SS
30" Hg Vac/kPa	PFP3772
30"/0/15 psi/kPa	PFP3773
30"/0/30 psi/kPa	PFP3774
30"/0/60 psi/kPa	PFP3775
30"/0/100 psi/kPa	PFP3776
30"/0/150 psi/kPa	PFP3777
30"/0/200 psi/kPa	PFP3778
30"/0/300 psi/kPa	PFP3779
0/15 psi/kPa	PFP3780
0/30 psi/kPa	PFP3781
0/60 psi/kPa	PFP3782
0/100 psi/kPa	PFP3783
0/160 psi/kPa	PFP3784
0/200 psi/kPa	PFP3785
0/300 psi/kPa	PFP3786
0/400 psi/kPa	PFP3787
0/600 psi/kPa	PFP3788
0/1,000 psi/kPa	PFP3789
0/1,500 psi/kPa	PFP3790
0/2,000 psi/kPa	PFP3791
0/3,000 psi/kPa	PFP3792
0/5,000 psi/kPa	PFP3793
0/6,000 psi/kPa	PFP3794
0/7,500 psi/kPa	PFP3795
0/10,000 psi/kPa	PFP3796
0/15,000 psi/kPa	PFP3797
0/20,000 psi/kPa	PFP3798

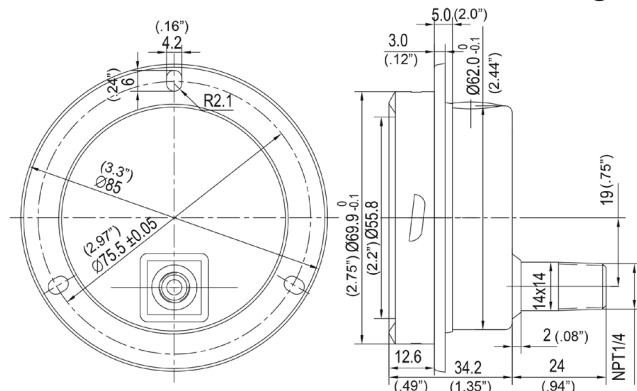
Other ranges and connection sizes available upon request. For scale change, refer to How to Order Guide for scale codes.

Option suffix:

25DRY = Supply 2.5" (63mm) gauge dry
 25SS = 2.5" (63mm) 316 SS case
 SF25 = 2.5" (63mm) Silicone filled

REST = Restrictor screw (psi only)
 EN = EN837-1 compliant

2.5" Lower Back Connection with Front Flange



Dimensions in mm (inches)