

## Description

UTI6 digital temperature transmitter is made by using imported temperature sensing elements. This product is featured with good performances, long service life, high measuring accuracy, good long term stability and small maintenance.

UTI6 digital temperature transmitter can be expanded to many communication interfaces based on its standard analog signals, it is an ideal replacement for general temperature transmitters.



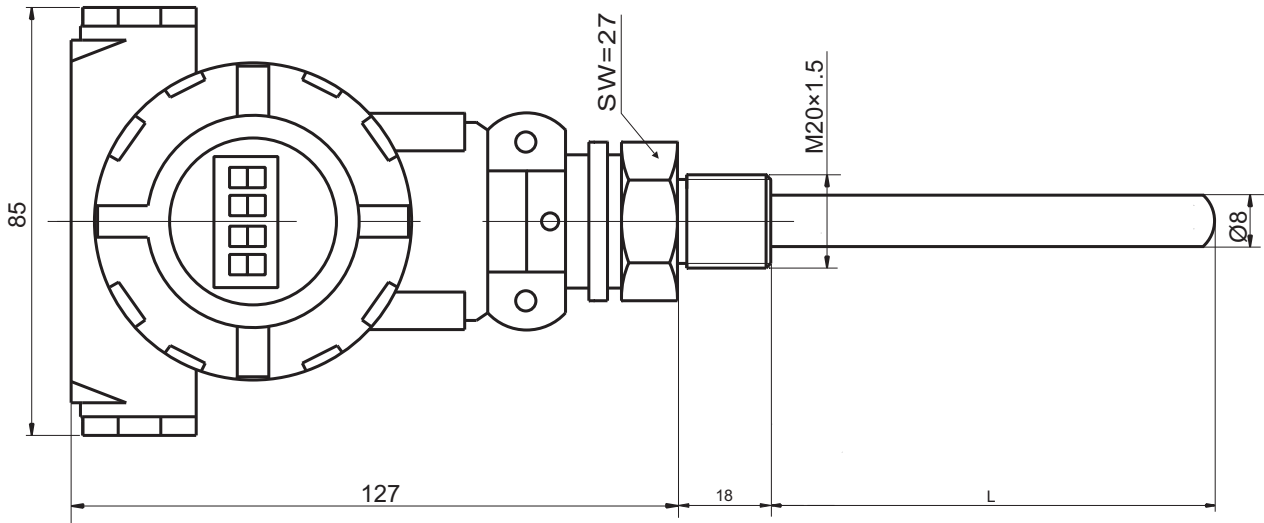
## Features

- Have RS485 communication and 4~20mA output simultaneously
- Rangeability: not exceeding 3: 1
- Main line supports 255 sets RS485 equipments
- Particular anti-radio-frequency interference technology, perfect matching digital transmission broadcasting station long-distance monitoring
- Against thunder stroke technology, guarantees it trouble-free service
- MODBUS protocol RTU code

## Specifications

measuring temperature medium	gas or liquids compatible to stainless steel
temperature ranges	Thermal resistance: -200~+500°C
temperature sensor	PT100
insert depth	20mm~2000mm(as customer's request)
output signal	4~20mA
accuracy	0.5%FS
communication	RS485,RS232(MODBUS protocol)
long-term stability	<0.1%FS/year
supply voltage	12~32V DC
display	4-digit LCD display
ambient temperature range	-30~+80°C
insulation resistance	100MΩ@500VDC
explosive-proof	Exia II BT4, Exd II BT4
process connection	M20×1.5 (male)or others
electrical connection	M20×1.5 (female)
material of wetted part	1Cr18Ni9Ti stainless steel
material of housing	cast aluminium
Maximum pressure	10MPa
protection	IP65

## Electrical connection



## Ordering code

UTI6				
	range	measuring range: -200~+500°C		
	(X1~X2)°C	X1: lower limit of actual measuring range, X2: higher limit of factual measuring range		
		code	output	
		O	4~20mA with MODBUS protocol	
			M	only MODBUS protocol
			code	process connection
			P0	M20×1.5
			P1	M27×2
			P2	individed type
			P3	flange type
			Pz	customer request
				insert length L(mm)
UTI6	0~100°C	O	P2	80