

- ❑ All-in-One | Out of the Box Ready to Use
- ❑ 25% Larger LED Display
- ❑ New Easy-Learn® Programming



Product Description

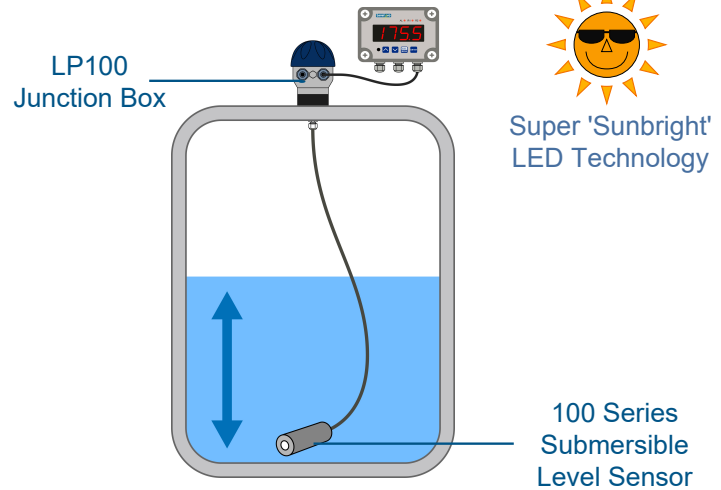
The TVL Series LED Level Process Display and Controller is the industry's most rugged and reliable wall-mount remote level display.

LevelPro's® TVL Series comes as a complete all-in-one unit, out of the box it is ready to use. Included is a bright LED Display, NEMA 4X Enclosure, Polycarbonate Faceplate, Cord Grips and Plastic Captive Screws.

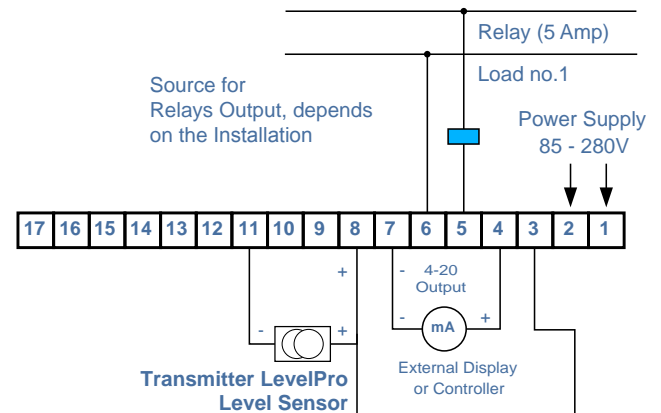
The industrial design of the TVL Series ensures that it will withstand the industry's most corrosive environments.

Available with either 2 Relay Outputs or 1 Relay + 4-20mA Output, the TVL Series is great for automating your tank level processes.

Remote Tank Level Display



Pin Assignment



Features

- ❑ SunBright Technology for Outdoor Applications
- ❑ No Assembly Required
- ❑ 8 Levels of Brightness
- ❑ Signal Peak Value Detection | Dampens Noise
- ❑ 3 Wire Cord Grips Included | No Add Ons
- ❑ Relay Lights & Audible Alarm Function
- ❑ Completely Thermoplastic | Corrosion-Free

PC



General

Display	LED 4 x 20mm High Red Adjustable Brightness
Displayed Values	-999 ± 9999 -99999 ± 999999*
Stability	50 ppm °C
Transmission Parameters	1200...115200 bit/s, 8N1 / 8N2
Protection Class	NEMA 4X IP67

Input Signal | Supply

Standard	Current: 4-20mA 0-20mA 0-5V* 0-10V*
Voltage	85 - 260V AC/DC 16 - 35V AC, 19 - 50V DC*

Output Signal | Supply

Standard	2 x Relays (5A) 1 x Relay (5A) + 4-20mA
Voltage	24VDC
Passive Current Output *	4-20mA (Operating Range Max. 2.8 - 24mA)

Performance

Accuracy	0.1% @ 25°C One Digit
----------	-----------------------

Temperatures

Operating Temperatures	-40 - 158°F -40 - 70°C
------------------------	--------------------------

Materials | Wetted

Housing	Polycarbonate
---------	---------------

*Optional

Model Selection

Part Number	Input	Output
TVL-550-1821	4-20mA	2 Relay
TVL-550-1829	4-20mA	4-20mA + 1 Relay

*Contact Factory for different options