

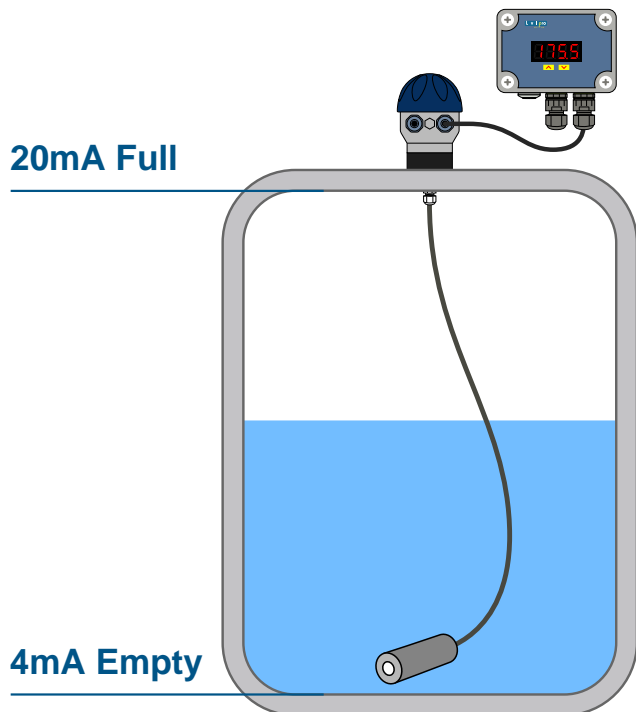
- Super Bright LED Digits
- NEMA 4X Enclosure
- Security Protection



250B-SR



250B-ST



### FEATURES

- Battery Powered
- Momentary or Adjustable Relay Timer \*
- NEMA 4X Enclosure
- LED Display
- All Plastic - Corrosion Resistant
- All Cord Grips Included
- Simple Programming

### SPECIFICATIONS

Power Supply	2600mAh Battery Powered
Display	LED   4 x 20 mm High   Red
Displayed Values	-999 - +9999
Input	Current : 4-20mA
Accuracy	0.1% @ 25°C One Digit
Stability	50 ppm   °C
Operating Temp	-40 - 158°F   (-40 - 70°C)
Storage Temp	-40 - 158°F   (-40 - 70°C)
Protection Class	NEMA 4X   IP67
Case	Wall Mounted   Material - Polycarbonate
Dimensions (WxNxH)	110 x 105 x 67 mm

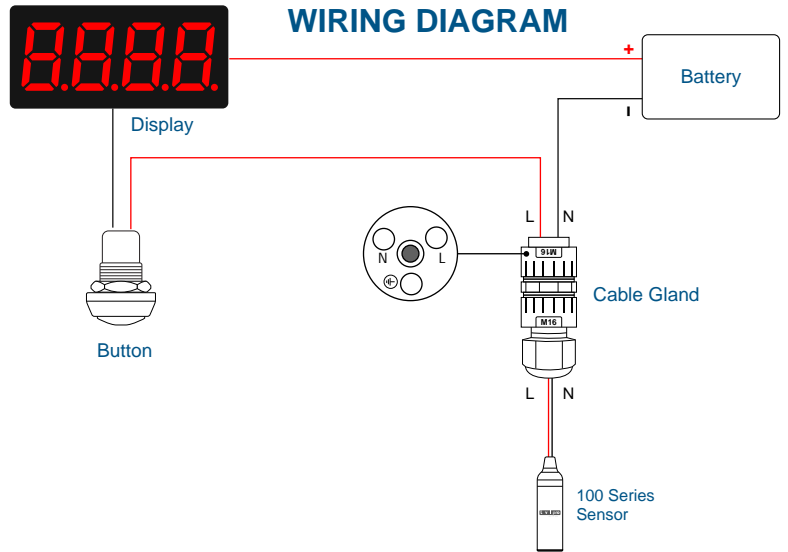
\* Battery Time Reduction

### 250B-SO (Sensor Only)



#### ORDERING

Part Number	Input	Battery Life
ITC250B-SO-4	4-20mA	4000 mA h
ITC250B-SO-8	4-20mA	8000 mA h

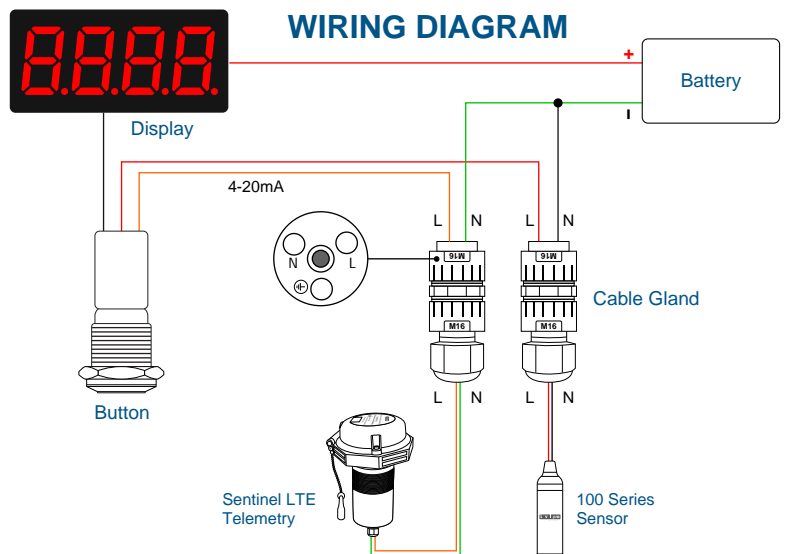


### 250B-ST (Sensor + Telemetry)



#### ORDERING

Part Number	Input	Battery Life
ITC250B-ST-4	4-20mA	4000 mA h
ITC250B-ST-8	4-20mA	8000 mA h

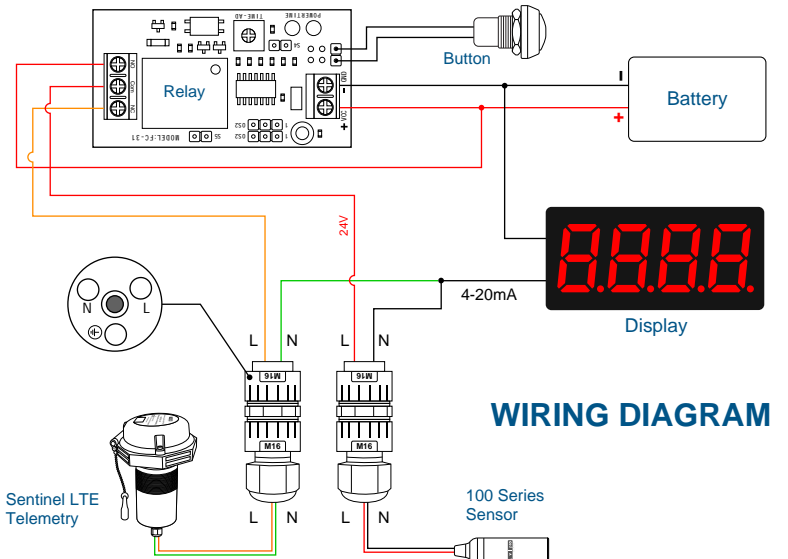


### 250B-SR (Sensor + Relay)

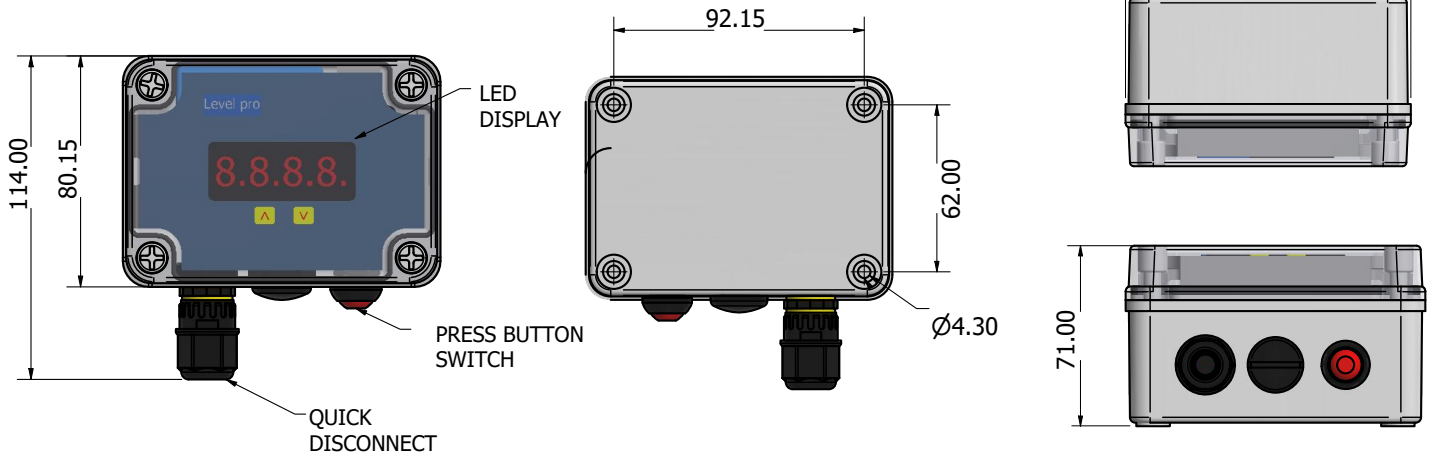


#### ORDERING

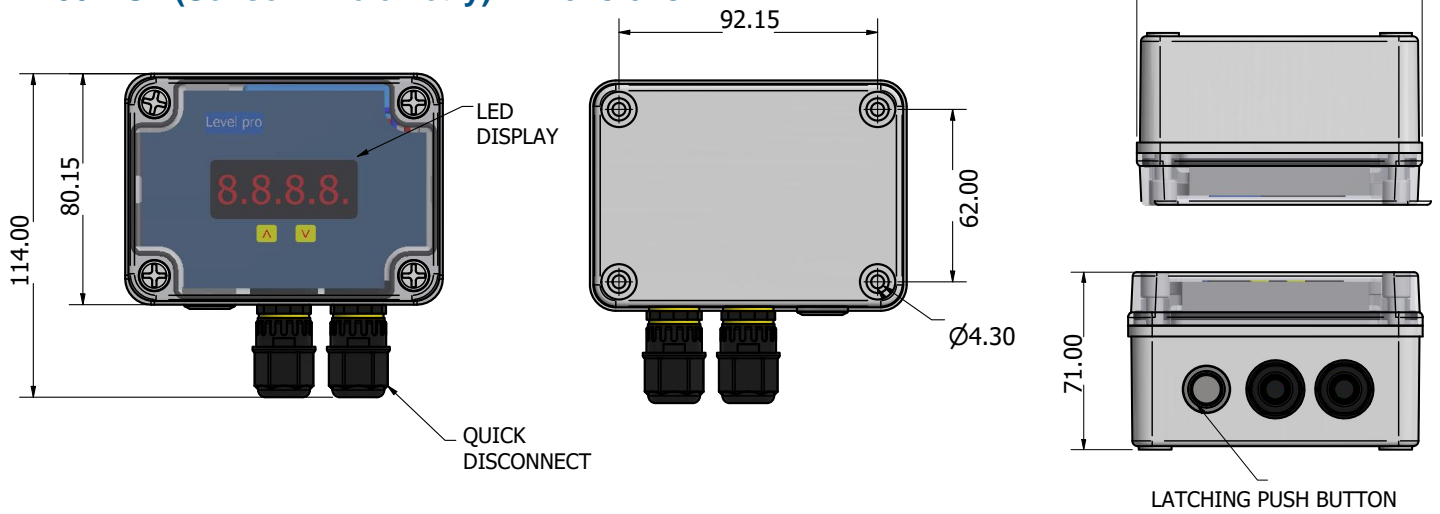
Part Number	Input	Battery Life
ITC250B-SR-4	4-20mA	4000 mA h
ITC250B-SR-8	4-20mA	8000 mA h



### 250B-SO (Sensor Only) Dimensions



### 250B-ST (Sensor + Telemetry) Dimensions



### 250B-SR (Sensor + Relay) Dimensions