

Bimetal Thermometers GB Series

- With rigid or every angle stem
- Watertight casing stainless steel execution
- NS 100 - 125 - 150
- Indication ranges included between -50 to +500 °C
- Execution B made with traditional criteria of quality and versatility able to satisfy the specific requirements of delivery and flexibility
- Execution S maintains a very good quality level and offers considerable economic advantages due to updated product modern technologies.

Technical Features

Execution

- B and S

Nominal sizes

- 100 and 150 execution B
- 100, 125 and 150 execution S

Casing

- Case and ring in AISI 304 stainless steel or AISI 316 with bayonet bezel

Protection degree (according to EN 60529)

- IP 55 for dry execution
- IP 65 for liquid filled

Window

- Glass for dry execution
- Laminated safety glass for liquid filled execution

Thermometric element

- Bimetal spiral

Ranges (according to EN 13190)

- Graduation:
0÷60; 0÷100; 0÷120; 0÷160; 0÷200; 0÷250; 0÷300;
0÷400; 0÷500; -50÷+50; -40÷+60; -20÷+40; -20÷+100
Other graduations not normalized for single or double range (on request)
- Unit of temperature
°C(Celsius) and °F(Fahrenheit) for single or double range
- Scale angle
-270 °

Working temperatures (referred to full scale value)

- From 1/10 to 9/10

Over-temperatures (occasionally allowed)

- 115% of full scale value

Pointer

- Aluminium with micrometer adjustment

Dial

- White aluminium with black figures

Accuracy (according to EN 13190)

- Class 1

Sensitive stem

- Note: instruments are manufactured with fixed or sliding connection also suitable for an eventual thermowell connection

Thermowell

- Built-up from pipe- P2 and P4 type
- Drilled from solid bar stock - P3 and P5 type

Options

Window

- D: Laminated Safety Glass window for nominal gauge diameter 100mm and crimped retaining bezel
- F: Laminated Safety Glass window for nominal gauge diameter 100mm and bayonet retaining bezel
- G: Glass window
- K: Laminated Safety Glass window for nominal gauge diameter 125mm and crimped retaining bezel
- M: Laminated Safety Glass window for nominal gauge diameter 150mm and crimped retaining bezel
- P: Laminated Safety Glass window for nominal gauge diameter 150mm and bayonet retaining bezel

Changes to the dial

- Serial number
- TAG number

Liquid filling

- Silicone fluid filled casing with laminated safety glass window

IP65 casing

Metal tag plate

- AISI 304 stainless steel for tag number

Documentation

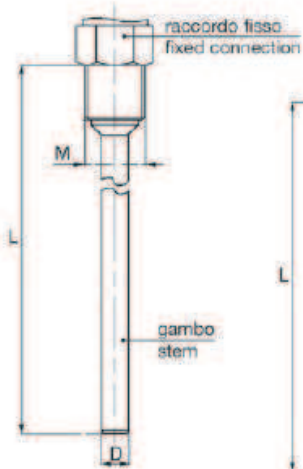
Calibration certificate

Complementary documents

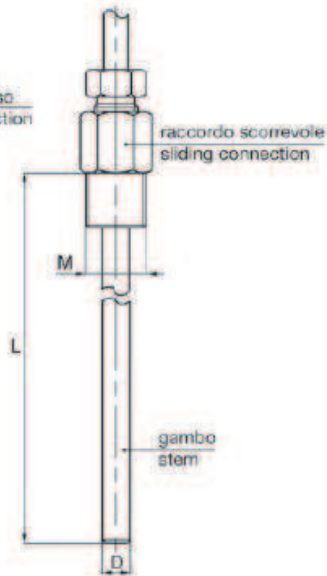
- Certificate of compliance with the order EN10204-2.2
- Technical documentation including drawings, technical information, installation and maintenance instructions
- Inspection and test certificate EN10204-3.1
- Material certificate
- ATEX Declaration (II 2 G/D)

Sensitive stems and connections

FIXED



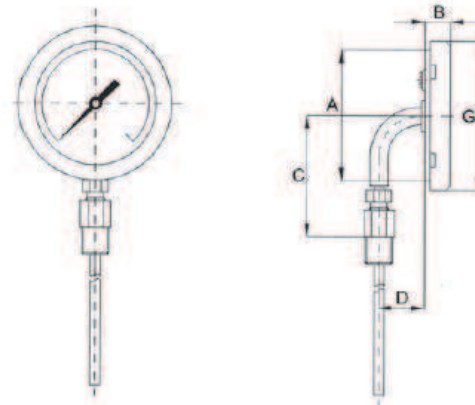
SLIDING



SIZES AVAILABLE

1/2" NPT
G1/2B (1/2"BSPP)
R1/2 (1/2"BSPT)
R1/2 (1/2"BSPT)
G1/2B (1/2"BSPP)
3/4" NPT
1/2" NPT
G3/8B (3/8"BSPP)

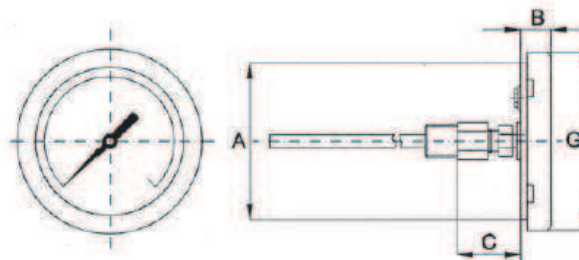
TYPE V (304 SS) TYPE Y (316 SS)



Termometro per montaggio diretto verticale
Thermometer for direct vertical mounting

DN	A	B	C	D	G	PESO - kg
100	103	23	108	35	118	0.48
125	119	22	108	35	130	0.60
150	150	23	108	35	166	0.71

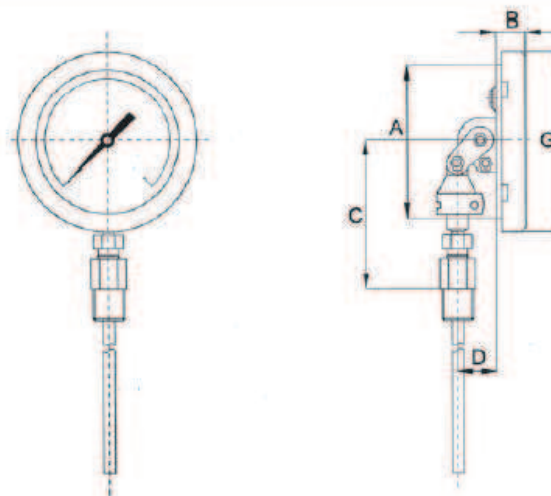
TYPE H (304 SS) TYPE P (316 SS)



Termometro per montaggio diretto orizzontale
Thermometer for direct horizontal mounting

DN	A	B	C	G	PESO - kg
100	100	22	58	111	0.38
125	119	22	58	130	0.44
150	150	22	58	161	0.50

TYPE A (304 SS) TYPE J (316 SS)



Termometro per montaggio diretto a gambo snodato
Every angle thermometer for direct mounting

CODE	DN	A	B	C	D	G	PESO - kg
4	100	100	22	80	40	111	0.48
5	125	119	22	80	40	130	0.54
6	150	150	22	80	40	161	0.60

NOTE: Delta Controls reserves the right to change specifications without prior notice

Sensitive stems and thermowells

Range °C	Immersion U thermowell (thread escluded)			
	min	standard	max	special
	mm	mm	mm	mm
-50 to + 50	65	100 - 150 200 - 250 300 - 400	500	To be agreed
-40 to +60	65	100 - 150 200 - 250 300 - 400	500	To be agreed
-20 to +40	115	150 200 - 250 300 - 400	500	To be agreed
-20 to +100	55	100 - 150 200 - 250 300 - 400	500	To be agreed
0 to 60	115	150 200 - 250 300 - 400	500	To be agreed
0 to 100	65	100 - 150 200 - 250 300 - 400	500	To be agreed
0 to 120	55	100 - 150 200 - 250 300 - 400	500	To be agreed
0 to 160	45	100 - 150 200 - 250 300 - 400	500	To be agreed
0 to 200	45	100 - 150 200 - 250 300 - 400	500	To be agreed
0 to 250	105	150 200 - 250 300 - 400	500	To be agreed
0 to 300	95	100 - 150 200 - 250 300 - 400	500	To be agreed
0 to 400	65	100 - 150 200 - 250 300 - 400	500	To be agreed
0 to 500	65	100 - 150 200 - 250 300 - 400	500	To be agreed

*In the interest of development and improvement Delta Controls Ltd, reserves the right to amend, without notice, details contained in this publication.
No legal liability will be accepted by Delta Controls Ltd for any errors, omissions or amendments.*



Delta Controls Limited

Riverside Business Park, Dogflud Way, Farnham, Surrey GU9 7SS, UK.

T+44 (0)1252 729 140 F+44 (0)1252 729 168 E sales@delta-controls.com W www.delta-controls.com

How to Order

Base Model	Code	Description
	GB	Bimetal Thermometer

Span Scale	Code	Description
	X	Span of outer scale. Various options available. Contact Delta Sales

Units	Code	Description
	C	Degrees Celsius
	G	Degrees Celsius and inner scale to suit in Degrees Fahrenheit

Configuration	Code	Description
	XXX	Gauge diameter, mounting, case features & safety fill. Various options available. Contact Delta Sales

Accuracy	Code	Description
	A	Class 1.0 (+/-1 per cent of full scale deflection).

Mounting Connection	Code	Description
	D	R1/2 (1/2inch BSPT male), sliding and swivel.
	J	1/2-14 NPT External, fixed.
	K	G1/2B (1/2inch BSPP male), fixed.
	L	G1/2B (1/2inch BSPP male), sliding and swivel.
	M	3/4-14 NPT External, sliding and swivel.
	O	G3/4B (3/4inch BSPP male), sliding and swivel.
	R	1/2-14 NPT External, sliding and swivel.
	W	R1/2 (1/2inch BSPT male), fixed.
	Z	G3/8B (3/8inch BSPP male), sliding and swivel.

Bulb Diameter	Code	Description
	A	Bulb 6mm diameter.
	B	Bulb 8mm diameter.
	C	Bulb 10mm diameter.

Stem Length	Code	Description
	X	Various options available. Contact Delta Sales

Typical Delta Part Number
G B C C 4 A S A J B 3 0 7 0 R 0 F 0 A A B

Bimetal Thermometer
 Series: GB

How to Order

