



Description & Features:

- Most economical pressure gauge used for panels
- 1.5" (40mm) to 2.5" (63mm) dial sizes
- Black steel case
- Brass wetted parts
- Stainless steel crimp-on bezel
- Stud-style U-Clamp design for secure panel mounting
- ±3-2-3% accuracy
- Dual scale (psi/kPa)
- ASME B40.100 compliant
- CRN registered
- 5 year warranty

Applications:

- For measuring gases, air, water and oils when equipment or processes require an economical panel mounted gauge
- Suitable for non-clogging, non-corrosive media

Specifications

Dial	1.5" (40mm), 2" (50mm), 2.5" (63mm) white aluminum with black and red markings
Case	Steel, painted black
Lens	Acrylic
Ring	SS
Socket	Brass
Connection	1/8" NPT or 1/4" NPT standard
Bourdon Tube	Phosphor bronze
Movement	Brass
Pointer	Aluminum, black
Welding	Silver alloy
Over-pressure Limit	25% of full scale value
Working Pressure	Maximum 75% of full scale value
Ambient/Process Temperature	-40°F to 150°F (-40°C to 65°C)
Accuracy	±3-2-3% ANSI/ASME Grade B
Enclosure Rating	IP52

Order Codes (products in bold are normally stock in North America)

Dial Size	1.5" (40mm)	2" (50mm)	2" (50mm)	2.5" (63mm)
Connection	1/8"	1/8"	1/4"	1/4"
30" Hg Vac/kPa	PEU1399UC	PEU1396UC	PEU1428UC	PEU1431UC
0/15 psi/kPa	PEU1398UC	PEU1397UC	PEU1429UC	PEU1436UC
0/30 psi/kPa	PEU1400UC	PEU1402UC	PEU1403UC	PEU1437UC
0/60 psi/kPa	PEU1401UC	PEU1404UC	PEU1405UC	PEU1438UC
0/100 psi/kPa	PEU1420UC	PEU1406UC	PEU1407UC	PEU1439UC
0/160 psi/kPa	PEU1421UC	PEU1408UC	PEU1409UC	PEU1440UC
0/200 psi/kPa	PEU1422UC	PEU1412UC	PEU1410UC	PEU1441UC
0/300 psi/kPa	PEU1423UC	PEU1413UC	PEU1411UC	PEU1442UC

Other ranges and connection sizes available upon request. For scale change, refer to How to Order Guide for scale codes.

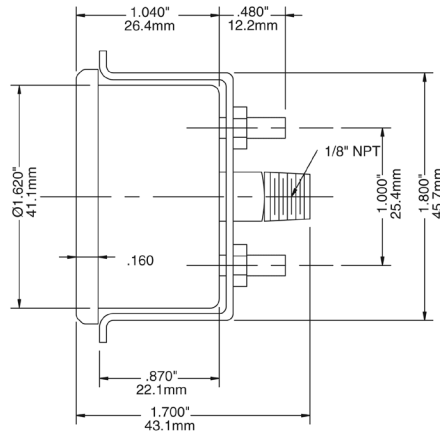
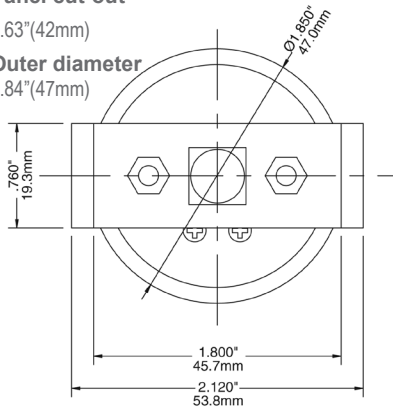
1.5" Panel Mounted

Panel cut-out

1.63"(42mm)

Outer diameter

1.84"(47mm)



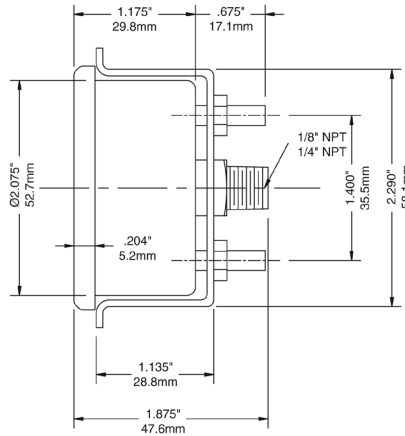
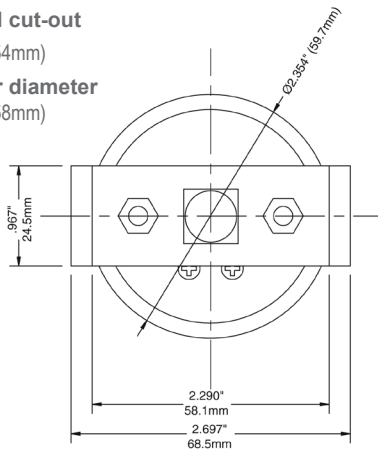
2" Panel Mounted

Panel cut-out

2.12"(54mm)

Outer diameter

2.29"(58mm)



2.5" Panel Mounted

Panel cut-out

2.44"(62mm)

Outer diameter

2.65"(67mm)

