



Industrial Pressure Transmitters

INSTALLATION AND OPERATION INSTRUCTIONS

Authorized Personnel

Installation and set up of pressure transmitters should only be done by individuals that are familiar with the applicable national regulations (such as NFPA) and have the appropriate qualifications. Depending on the application conditions, it is necessary that personnel have appropriate knowledge, e.g. concerning corrosive products or high pressure.

Product Application

- When installing and placing the pressure transmitter into operation, please observe the accident prevention regulations as defined by qualified organizations (such as NFPA).
- Trerice Pressure transmitters are suited for measuring pressure in applications with gaseous and liquid media.
- Please observe the pressure, force and temperature limits as defined in these Installation & Operating Instructions or in the technical specification sheets.
- Ambient conditions (temperature, air pressure, humidity, etc.) should always be considered.
- Never expose the product to heavy vibrations or physical impact.
- Use the pressure transmitter in its original state only. Do not tamper with the product. There are no serviceable components and the device does not require maintenance.
- Prior to installation remove all protective packaging materials (e.g. film, caps, cardboard etc.)
- Packaging materials should be responsibly recycled.

Operating Conditions

- Deviations from the operating conditions specified in the technical data sheet (i.e. "Operating Temperature Ranges") may result in damage to the pressure transmitter.
- Protection class IP65/IP67 may not apply to all operating conditions. This protection class applies only when the transmitter's electrical connection is properly attached to the mating plug with gaskets in place. It is the user's responsibility to verify that the connection corresponds with all applicable regulations and provisions.
- The values quoted in the technical data sheet for "Overpressure Limits" refer to the wetted parts of the transmitter that are directly exposed to the process medium.

How to Install the Pressure Transmitter

- Use the appropriate wrench to install the pressure transmitter into the respective pressure connection. The torque is approximately 25 Nm.
- For connections that require the use of a sealing ring, verify the respective dimensions of the ring prior to use.
- All wiring must meet local regulations and must be performed by qualified personnel only. Use cable that is appropriate to the installation environment. **DO NOT CRUSH CABLE.** Electrical power must be connected in accordance with the respective connection diagram; otherwise damage/destruction may occur.
- All seals must be positioned and assembled appropriately for the IP protection class to apply.

How to Remove the Pressure Transmitter

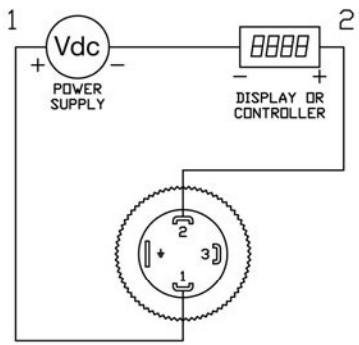
- Please observe applicable safety regulations when removing the pressure
- Prior to removing transmitter from application, system **MUST** be depressurized. Failure to do so may result in damage or personal injury.

Industrial Pressure Transmitters

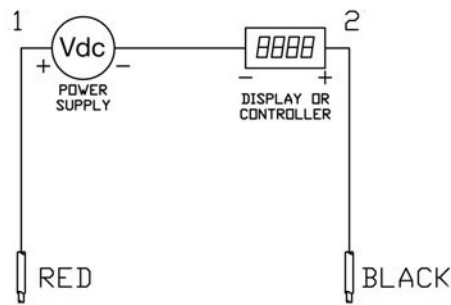
Electrical Connections Wiring Diagram

2- Wire Circuits (4 20mA)

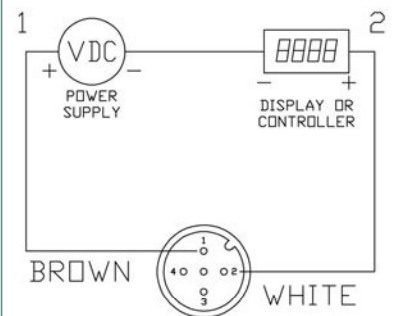
DIN 175301-803 (A)



Shielded Cable



M12 (S7243) 4 pin



3- Wire Circuits (0-10Vdc)

