

Description

UIB6 digital pressure transmitter is an intelligent digital transmitter with high measuring accuracy and good long term stability. Its performance is reliable.

This product is made of special wide-temperature LCD display and high stable sensor, and using precise digitization temperature compensation and non-linearity revision technology to guarantee its measuring accuracy & stability. RS485 main line facilitates network pressure measurement system easily.

UIB6 digital pressure transmitter is suitable for pressure measurement and control in water and electricity, chemical industry, urban water supply, scientific research etc.



Features

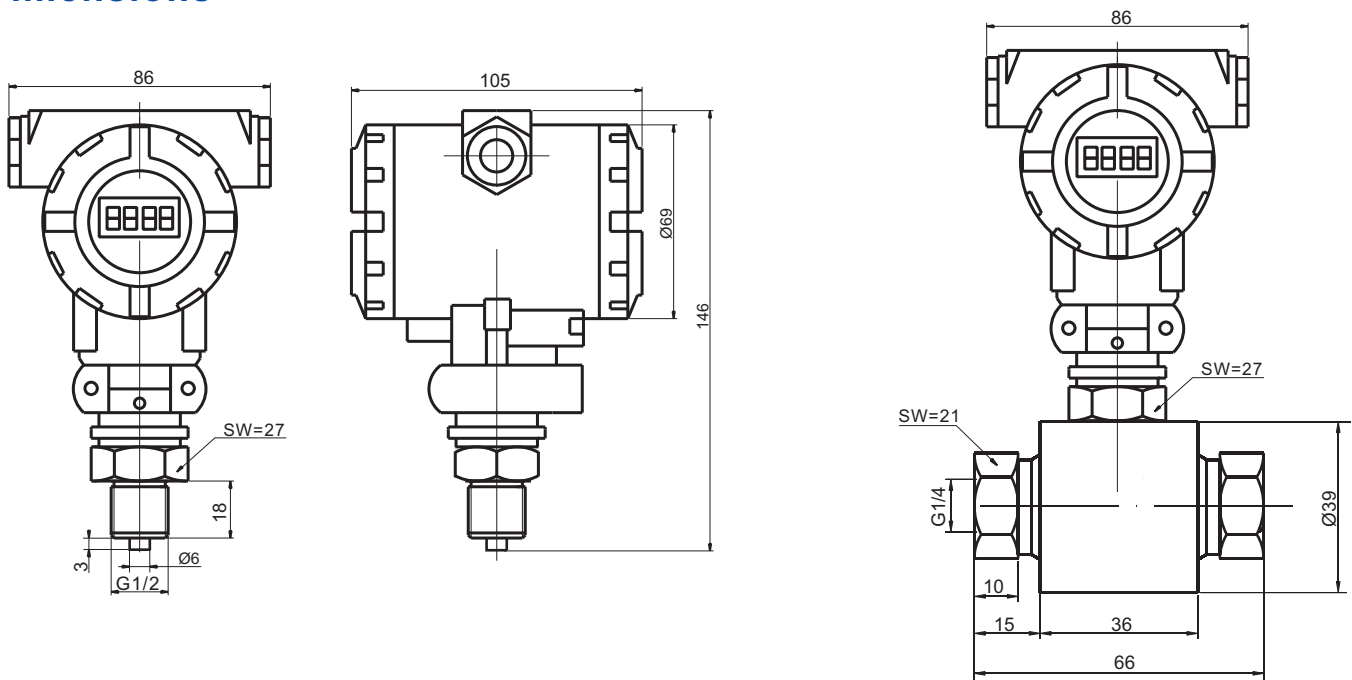
- Have 4~20mA output and RS485 communication function simultaneously
- MODBUS RTU protocol (RS485 interface)
- 10 selectable engineering units : kPa, Mpa, °C, Pa, bar, mbar, mmHg, kgf/cm², mH₂O, psi, m
- Digital temperature compensation, digital communication technology
- Against thunder stroke technology, zero self-steady technology

Specifications

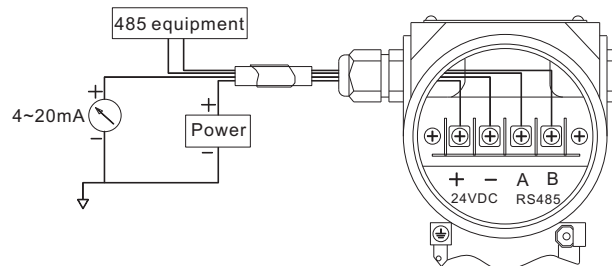
pressure medium	gas or liquid compatible to stainless steel
pressure ranges	-1...0~0.1...1000bar
pressure type	gauge(G), absolute(A), sealed gauge(S), differential (D)
overload pressure	150%FS
output signal	4~20mA
communication	MODBUS protocol (RS485 interface)

accuracy	0.1%FS,0.25%FS(standard), 0.5%FS
display	dynamic 5 digit LCD(range: -32767~32767)
load resistance	$R_L=(U-12V)/0.02A$ (4~20mA current output) U—loop voltage (V)
long-term stability	<0.2%FS/year
supply voltage	12~36VDC
compensated temperature range	-10~+70°C
operating temperature range	-40~+85°C
storage temperature range	-40~+120°C
display unit	kPa, MPa, °C, Pa, bar, mbar, mmHg, kgf/cm ² , mH ₂ O, psi, m
insulation resistance	100MΩ@50VDC
process connection	G1/2 or others
electrical connection	M20×1.5(female)
material of housing	cast aluminum
material of wetted part	1Cr18Ni9Ti
explosive-proof	ExiaIIBT4, ExdIIBT4

Dimensions



Electrical connection



Electrical connection for RS485 interface



UIB6 Digital Pressure Transmitter

Ordering code

UIB6							
	range	measuring range: -1...0~0.1bar...1000bar					
	(X1~X2)bar	X1: lower limit of actual measuring range, X2: higher limit of actual measuring range					
		code	pressure type				
		G	gauge				
		A	absolute				
		S	sealed gauge				
		D	differential				
			code	accuracy			
			B	0.1%FS			
			C	0.25%FS			
			D	0.5%FS			
			code	Communication			
			R	MODBUS protocol with 4~20mA			
			Z	MODBUS protocol without 4~20mA			
			M	Self-defined protocol			
				code	process connection		
				P2	G1/2		
				P4	M20×1.5		
				P5	1/2NPT		
				Pz	customer request		
UIB6	(0~20)bar	G	B	R	P2		