



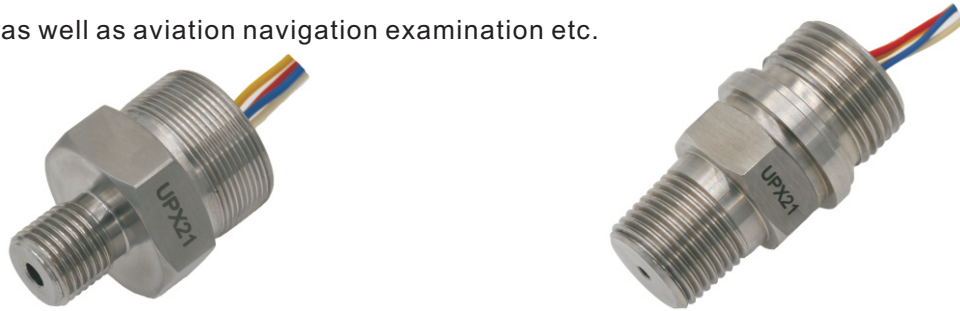
# UPX21 Silicon Pressure Sensor with pressure port

## Description

To make our user to use our pressure sensor more easily, we design UPX21 silicon pressure sensor . UPX21 is assembled in the workpiece that is made with standard thread process directly, the user can use it to make pressure transmitter very easily.

UPX21 silicon pressure sensor can be customized as special requests.

UPX21 pressure sensor is widely used in petroleum industry, chemical industry, process control, hydraulic system, pressure examination measuring instruments, pressure calibration instruments, refrigeration plant and air-conditioning system as well as aviation navigation examination etc.



## Features

- All kinds of process threads available for options.
- Full stainless steel 316 material
- Measuring ranges:-1...0~0.1bar...1000bar
- Excitation: constant current, or constant voltage
- Pressure type: gauge pressure, absolute pressure and sealed gauge pressure

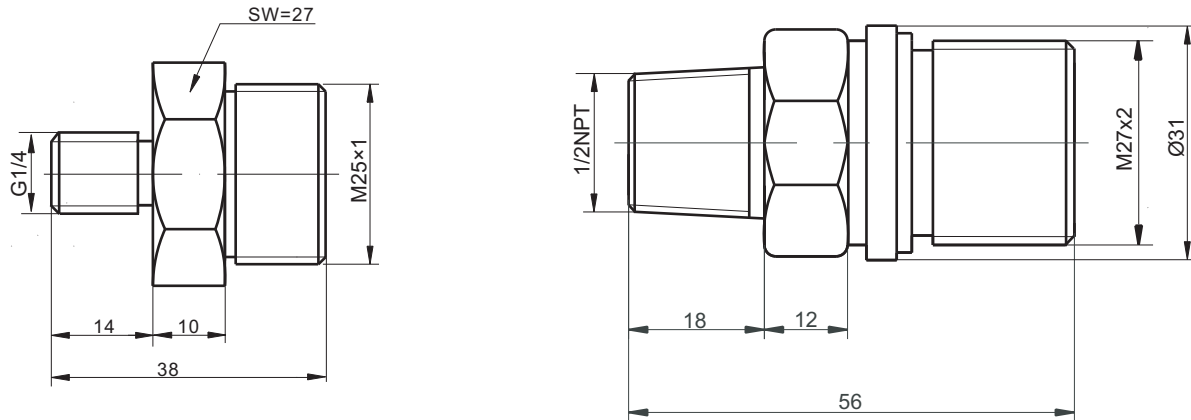
## Specifications

pressure medium	gas or liquids compatible with stainless steel
pressure ranges	-1...0~0.1...1000 bar
pressure type	gauge(G), absolute(A), sealed gauge(S)
overload pressure	150%FS(<3.5MPa);150%FS(≥3.5MPa)
output signal	≥70mV(typical)
accuracy	0.25%FS(standard), 0.5%FS
zero offset	≤±3mV
long-term stability	<0.2%FS/year
excitation	1.5mA or 5V DC (1.5mA standard)
compensated temperature range	-10~+70℃
operating temperature range	-40~+125℃
storage temperature range	-40~+125℃
temperature coefficient of zero	0.25%FS/10℃
temperature coefficient of span	0.2%FS/10℃
input/output resistance	2.5~8kΩ
insulation resistance	500MΩ@100VDC
response time(10%~90%)	≤1ms
electrical connection	4 colored silicon rubber flexible wire or 6 pin(gold coated kovar wires)
housing and diaphragm material	316L



# UPX21 Silicon Pressure Sensor with pressure port

## Dimensions



## Ordering code

UPX21					
	range	measuring range: -1...0~0.1...1000bar			
	(X1~X2)bar	X1: the lower limit of pressure, X2: the upper limit of pressure			
	code	pressure type			
	G	gauge			
	A	absolute			
	S	sealed gauge			
	code	process connection			
	P1	G1/4			
	P2	G1/2			
	P4	M20x1.5			
	P6	1/2NPT			
	Pz	as customers request			
	code	sensor back thread (electrical side)			
	T1	M25*1			
	T2	M27*2			
	Tz	as customers request			
	code	excitation			
	C	constant current			
	V	constant voltage			
UPX21	0~10bar	G	P1	T1	C