

## Differential Pressure Gauge Diaphragm **DG Range**

- Nominal Diameter options of 100mm & 150mm.
- Degree of Protection IP55/IP65.
- Stainless steel enclosure as standard.
- Blowout Protection.
- Ranges available From 0 to 25mbar, up to 0 to 25bar
- Monel pressure connection, material and options available.

### Performance **characteristics**

#### Enclosure options

- IP55 Protection for non fluid
- IP65 Protection for filled

#### Pressure Connection Material

- 316 Stainless Steel

#### Dials

- White Aluminium with black graduation

#### Process connection

- 1/2 -14 NPT & G1/2B

#### Accuracy

- Class 1.6 (+/- 1.6% Of full scale deflection)

#### Ambient temperature

- -20 to +60 °C

#### Process temperature

- Max 120 °C



### Product **applications**

The **DG range** is suitable for a wide range of applications in many Industry sectors:

- Oil & Gas
- Chemical
- Petrochemical
- Refining
- Power
- Marine
- Food Industry
- OEM

The choice of models available ensures suitability for use in:

- Corrosive atmospheres
- Resistant to chemical attack

### How can we **help you?**

Delta Controls' range of reliable pressure and temperature measurement instruments can be customised to meet individual requirements. For technical advice or to discuss your application please contact us on +44 (0)1252 729 140

**Model**

**TABLE 1**

	<b>Code</b>
<b>Industrial Service Differential Pressure Gauges</b>	DG
<b>ATEX certified Industrial Service Pressure Gauge</b> ATEX service pressure gauge - II 2 G/D other specification as DA	DA

**Range**

**TABLE 2**

Range	Bar	Kg/ cm <sup>2</sup>	mBar	KPa	PSI	Code
0 to 1	√	√				DA
0 to 1.6	√	√				DB
0 to 2.5	√	√				DC
0 to 4	√	√				DD
0 to 6	√	√				DE
0 to 10	√	√				EA
0 to 15					√	DK
0 to 16	√	√				EB
0 to 25	√	√	√			EC
0 to 30					√	DP
0 to 40			√			ED
0 to 60			√	√	√	EE
0 to 100			√	√	√	FA
0 to 160			√	√	√	FB
0 to 200					√	PF
0 to 250			√	√		FC
0 to 300					√	ER
0 to 400			√	√	√	FD
0 to 600			√	√	√	FE
0 to 1000				√		GA
0 to 1600				√		GB
0 to 2500				√		GC

**Pressure Units**

**TABLE 3**

	<b>Code</b>
Kg/cm <sup>2</sup>	B
mBar	G
Bar	H
KPa	J
PSI	P

**Inner Scale**

**TABLE 4**

	<b>Code</b>
Inner Scale not required	0

## Static Pressure

TABLE 5

--	--	--	--	--	--	--	--	--	--	--	--	--	--	--	--	--	--	--	--

	Code
25 bar	1
100 bar	2

## Gauge Diameter

TABLE 6

--	--	--	--	--	--	--	--	--	--	--	--	--	--	--	--	--	--	--	--

	Code
100mm (nominal 4")	4
150mm (nominal 6")	6

## Mounting

TABLE 7

--	--	--	--	--	--	--	--	--	--	--	--	--	--	--	--	--	--	--	--

	Code
Bottom Connection, Direct	A
Bottom Connection, Surface, Case Mounting Plate	B
Bottom Connection, Flush, Cover Mounting Plate	F
Bottom Connection, for 2inch horizontal or vertical pipe, Mounting	J

## Fill

TABLE 8

--	--	--	--	--	--	--	--	--	--	--	--	--	--	--	--	--	--	--	--

	Code
No Fill	0
Silicone	S

## Accuracy Class

TABLE 9

--	--	--	--	--	--	--	--	--	--	--	--	--	--	--	--	--	--	--	--

	Code
Class 1.0 (+/-1 percent of full scale deflection)	A
1.6 (+/- 1.6% Of full scale deflection)	B

## Process Connection

TABLE 10

--	--	--	--	--	--	--	--	--	--	--	--	--	--	--	--	--	--	--	--

	Code
1/4 – 18NPT Internal	F
1/2-14 NPT External (316 Stainless Steel)	J
G1/2B	K
1/2 - 14NPT External (Hastelloy)	1
G1/2B (Hastelloy)	2
1/2 - 14NPT External (Monel)	3
G1/2B (Monel)	4
Fitted with chemical seal which affects the accuracy of the instruments	9

### Material of Wetted Parts

**TABLE 11**

	Code
Hastelloy C276 diaphragm only (for ranges exceeding 100mbar)	1
Hastelloy C276 diaphragm only (for ranges not exceeding 100mbar)	2
Monel diaphragm only (for ranges exceeding 100mbar)	3
Monel diaphragm only (for ranges not exceeding 100mbar)	4
All Hastelloy C276 diaphragm only (for ranges exceeding 100mbar)	H
All Hastelloy C276 diaphragm only (for ranges not exceeding 100mbar)	J
All Monel (for ranges exceeding 100mbar)	M
All Monel (for ranges not exceeding 100mbar)	N
Connections 316L and AISI 316Ti 1.4571	S

### Material of Gauge Case

**TABLE 12**

	Code
Case and ring in AISI 304 stainless steel	0
Gauge nominal diameter 100mm (4inch), case and ring with bayonet bezel in AISI 316 stainless steel	1
Gauge nominal diameter 150mm (6inch), case and ring with bayonet bezel in AISI 316 stainless steel	2
Gauge nominal diameter 100mm (4inch), case and ring in AISI 304 stainless steel and window of laminated safety glass.	A
Gauge nominal diameter 150mm (6inch), with case and in AISI 304 stainless steel and window of laminated safety glass	B
Gauge nominal diameter 100mm (4inch), with case and in AISI 316 stainless steel and window of laminated safety glass	C
Gauge nominal diameter 150mm (6inch), with case and in AISI 316 stainless steel and window of laminated safety glass	D

### Scale Pointer Options

**TABLE 13**

	Code
Standard only no options this model	0
Maximum pointer to indicate maximum pressure reached for nominal gauge diameter 100mm (4inch)	1
Maximum pointer to indicate maximum pressure reached for nominal gauge diameter 150mm (6inch)	2

### Options Available

**TABLE 14**

	Code
No additional options required	0
Tag number printed on dial face	1
Stainless steel tag plate.	4
Serial number printed on dial face	5

### Treatments Available

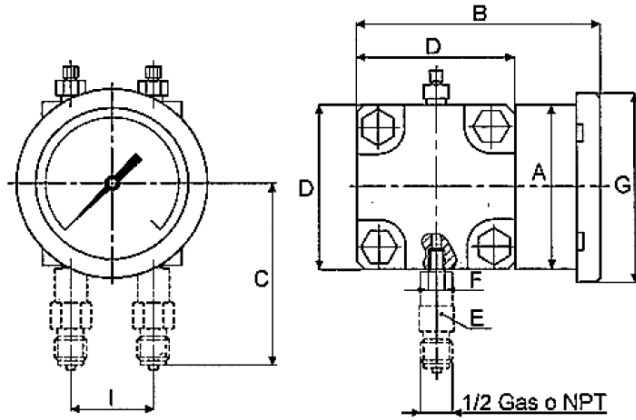
**TABLE 15**

	Code
No additional treatment required	0
Wetted parts prepared for Oxygen service. For ranges above 100 mBar	4
Wetted parts prepared for Oxygen service. For ranges upto and including 100 mBar	5

## Type of Mounting

### Illustrations for TABLE 7

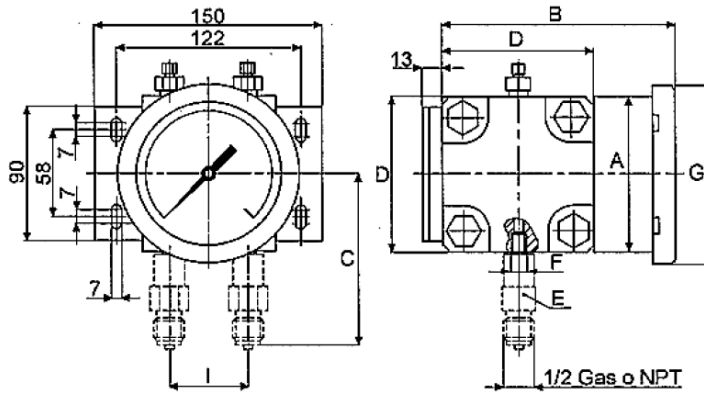
#### Code A



**Bottom  
Connection,  
Direct**

MODEL	DN	A	B	C	D	E	F	G	H	I	L	M	N	Hole Ø At 120°	Weight	
															No-Fill	Filled
DP 360-A	100	103	150	112	100	22	1/4	118		54					4,6	5,0
	150	150	150	112	100	22	1/4	166		54					4,9	5,8
DP 370-A	100	103	200	137	150	22	1/4	118		54					11,0	11,4
	150	150	200	137	150	22	1/4	166		54					11,3	12,2

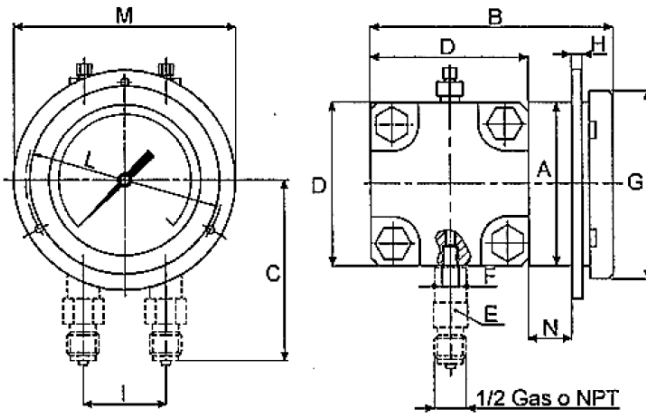
#### Code B



**Bottom  
Connection,  
Surface, Case  
Mounting Plate**

MODEL	DN	A	B	C	D	E	F	G	H	I	L	M	N	Hole Ø At 120°	Weight	
															No-Fill	Filled
DP 360-B	100	103	150	112	100	22	1/4	118		54					4,9	5,3
	150	150	150	112	100	22	1/4	166		54					5,2	6,1
DP 370-B	100	103	200	137	150	22	1/4	118		54					11,3	11,7
	150	150	200	137	150	22	1/4	166		54					11,6	12,5

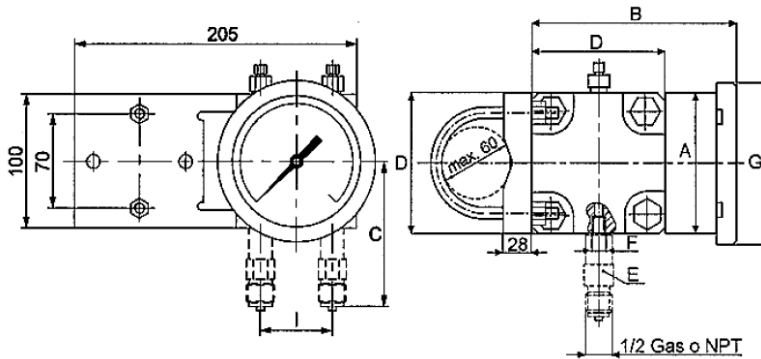
**Code F**



**Bottom Connection, Flush, Cover Mounting Plate**

MODEL	DN	A	B	C	D	E	F	G	H	I	L	M	N	Hole Ø At 120°	Weight	
															No-Fill	Filled
DP 360-C	100	103	150	112	100	22	1/4	118	7	54	126	140	27	5	4,7	5,1
	150	150	150	112	100	22	1/4	166	7	54	178	192	27	5	5,0	5,9
DP 370-C	100	103	200	137	150	22	1/4	118	7	54	126	140	27	5	11,1	11,5
	150	150	200	137	150	22	1/4	166	7	54	178	192	27	5	11,4	12,3

**Code J**



**Bottom Connection, for 2inch horizontal or vertical pipe, Mounting**

MODEL	DN	A	B	C	D	E	F	G	H	I	L	M	N	Hole Ø At 120°	Weight	
															No-Fill	Filled
DP 360-D	100	103	150	112	100	22	1/4	118		54					5,2	5,6
	150	150	150	112	100	22	1/4	166		54					5,5	6,4
DP 370-D	100	103	200	137	150	22	1/4	118		54					11,6	12,0
	150	150	200	137	150	22	1/4	166		54					11,9	12,8

In the interest of development and improvement Delta Controls Ltd, reserves the right to amend, without notice, details contained in this publication. No legal liability will be accepted by Delta Controls Ltd, for any errors, omissions or amendments.



**Delta Controls Ltd**

Riverside Business Park, Dogflud Way, Farnham, Surrey GU9 7SS, UK.

T+44(0)1252 729140 F+44(0)1252 729168 [Esales@delta-controls.com](mailto:Esales@delta-controls.com) W [www.delta-controls.com](http://www.delta-controls.com)

