

250B SERIES

INSTRUCTION MANUAL



250B-SR



250B-ST

 **Corrosion-Free**
Instrumentation Equipment



Read the User's Manual Carefully.
Manufacturer Reserves the Right to Implement Changes Without Prior Notice.

FEATURES

- Battery Powered
- Momentary or Adjustable Relay Timer *
- NEMA 4X Enclosure
- LED Display
- All Plastic - Corrosion Resistant
- All Cord Grips Included
- Simple Programming



SPECIFICATIONS

Power Supply	2600mAh Battery Powered
Display	LED 4 x 20 mm High Red
Displayed Values	-999 - +9999
Input	Current : 4-20mA
Accuracy	0.1% @ 25°C One Digit
Stability	50 ppm °C
Operating Temp	-40 - 158°F (-40 - 70°C)
Storage Temp	-40 - 158°F (-40 - 70°C)
Protection Class	NEMA 4X IP67
Case	Wall Mounted Material - Polycarbonate
Dimensions (WxNxH)	110 x 105 x 67 mm

Step-by-Step Programming | Tank Level Set-up

STEPS	DISPLAY	OPERATION	
Step-1 Press Up + Down Buttons Together Press Hold		Press and hold both buttons to enter the menu	
Step-2 Release Buttons		Enter Pass Code: 1234 (see next step)	
Step-3 Press 4X Press		Using the UP arrow, press 4 times until the password reads '1234' Click both buttons at the same time to proceed into the menu	
Step-4 Press Up + Down Buttons Together Press Hold		Decimal Point	
Step-5 Press to Change Press		Enter Desired Decimal Point: 0 decimal places 2 Decimal Places 1 decimal place 3 Decimal Places	
Step-6 Press Up + Down Buttons Together Press Hold		Enter Low Level Range- 4mA Default = 0	
Step-7 Change to Desired Value Press or		4mA = the low level range of the sensor (Inches, Feet, Gallons)	
Step-8 Press Up + Down Buttons Together Press Hold		Enter High Level Range- 20mA Default = 100	
Step-9 Change to Desired Value Press or		20mA = the high level range of the sensor (Inches, Feet, Gallons)	
Step-10 Current Level Press Hold		Current Level	

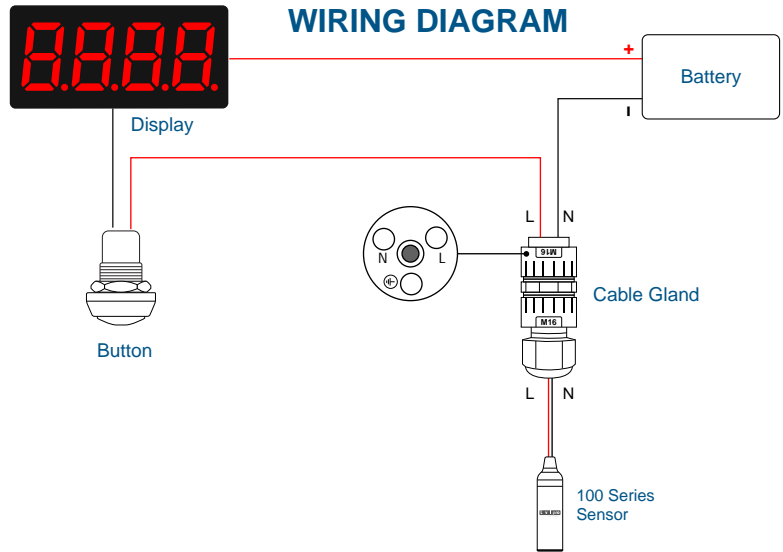
Press both buttons to Save High Level Value

250B-SO (Sensor Only)



ORDERING

Part Number	Input	Battery Life
ITC250B-SO-4	4-20mA	4000 mA h
ITC250B-SO-8	4-20mA	8000 mA h

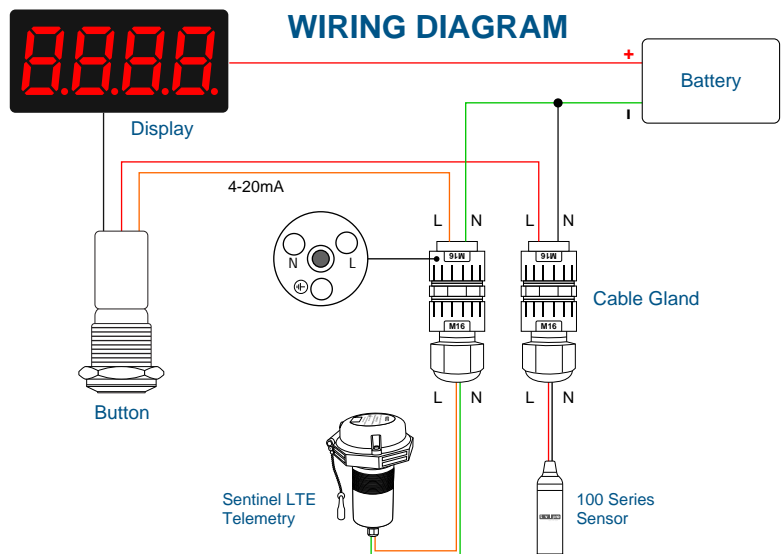


250B-ST (Sensor + Telemetry)



ORDERING

Part Number	Input	Battery Life
ITC250B-ST-4	4-20mA	4000 mA h
ITC250B-ST-8	4-20mA	8000 mA h

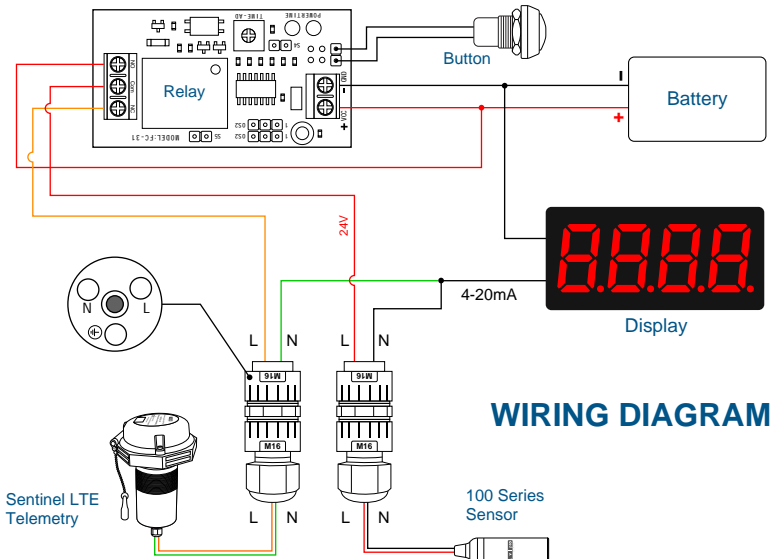


250B-SR (Sensor + Relay)

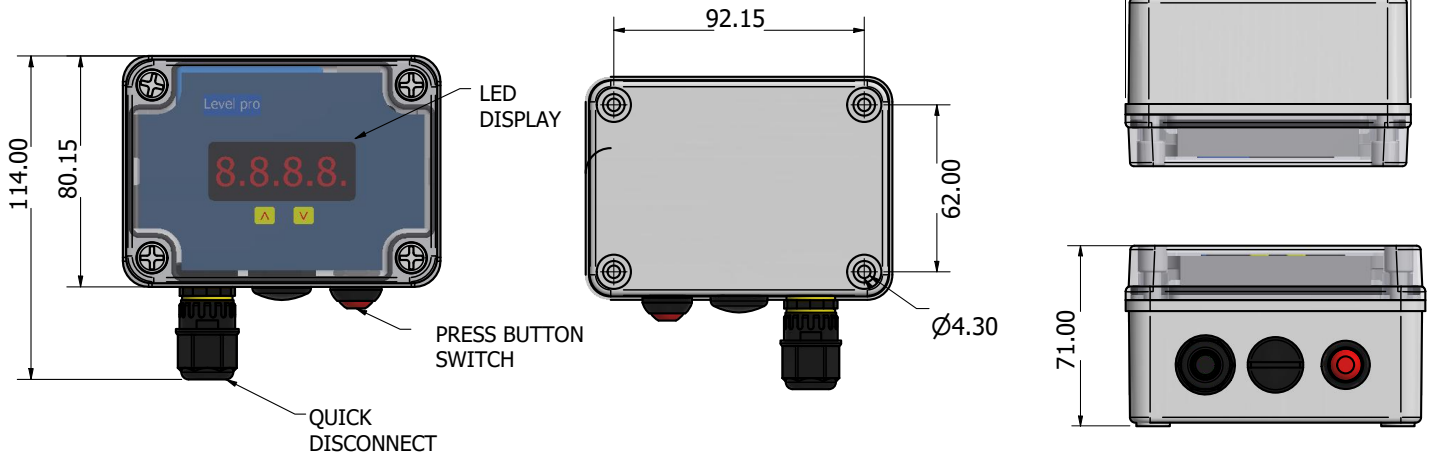


ORDERING

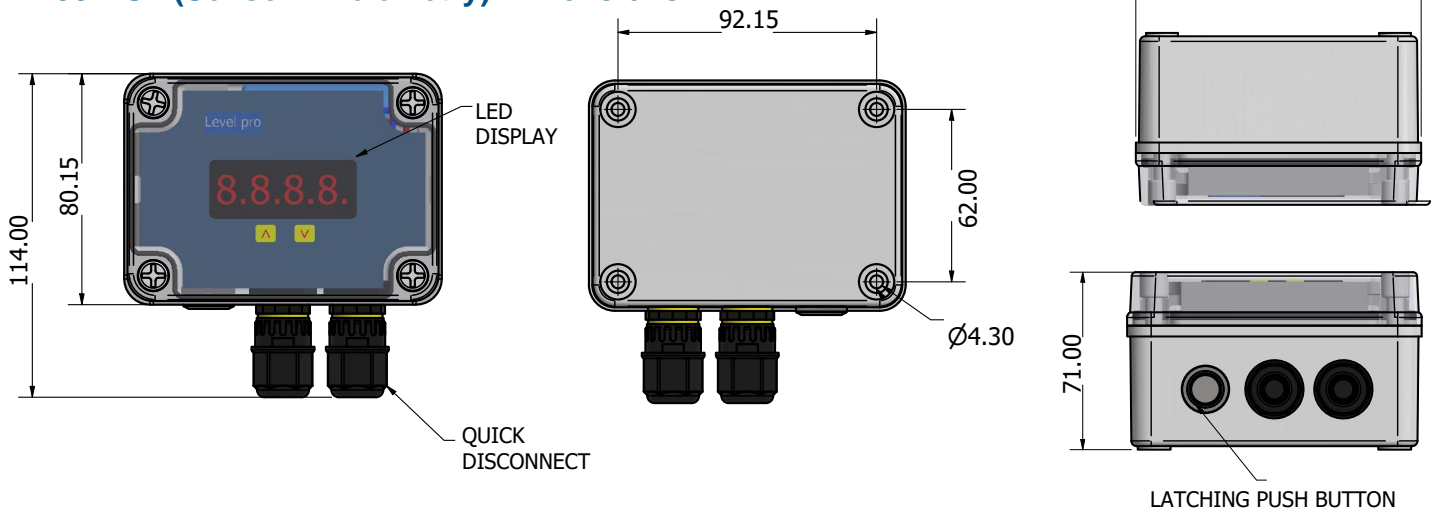
Part Number	Input	Battery Life
ITC250B-SR-4	4-20mA	4000 mA h
ITC250B-SR-8	4-20mA	8000 mA h



250B-SO (Sensor Only) Dimensions

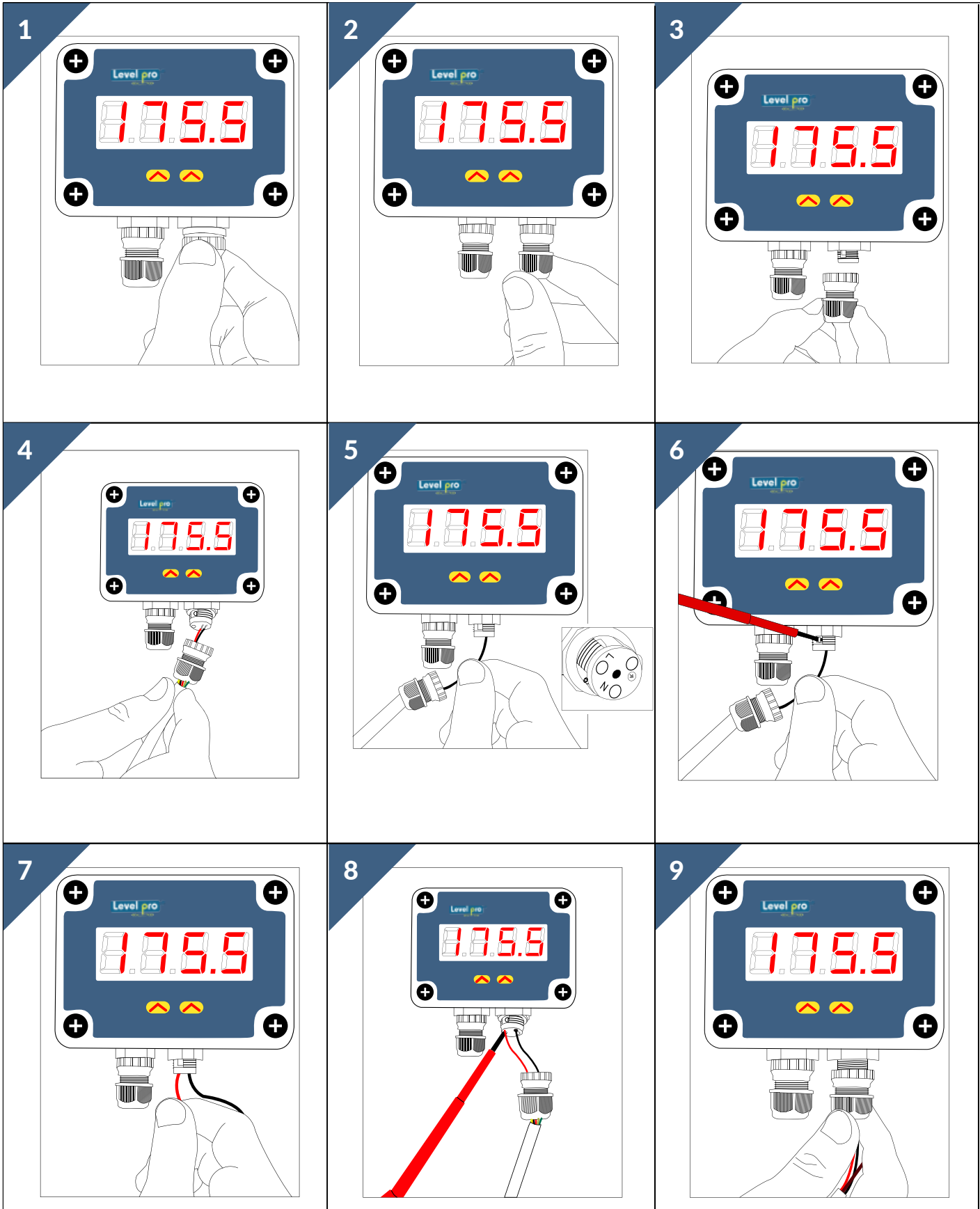


250B-ST (Sensor + Telemetry) Dimensions



250B-SR (Sensor + Relay) Dimensions

Step-by-Step Wiring Set Up



Step-by-Step Wiring Set Up

