

Bilge level switch ERH-11-20

Features

- ✓ Designed for dirty liquids
- ✓ High reliability switching
- ✓ Several options e.g. protective casing, test devices and other
- ✓ Fully stainless steel (316L)
- ✓ Protection class IP68
- ✓ Marine approval DNV



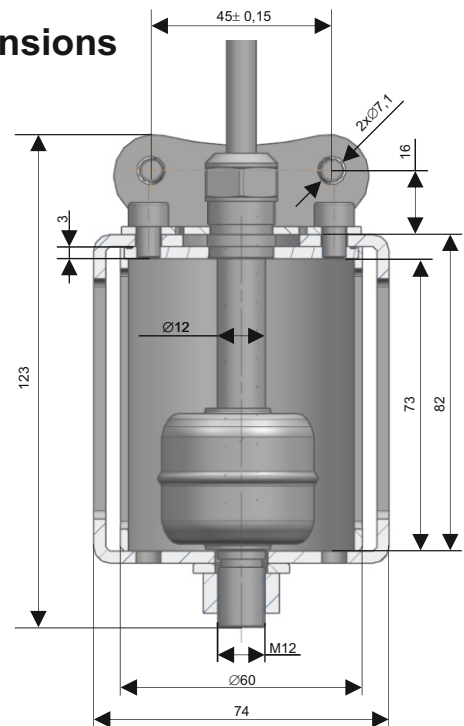
Description

The ERH-11-20 switches are designed for general purpose on ships - especially for bilges and other places with difficult conditions - and in other industries. These switches are resistant to mechanical damage thanks to their solid housing. The 3mm thick housing is much stronger than that of competing switches. This ensures long service life.

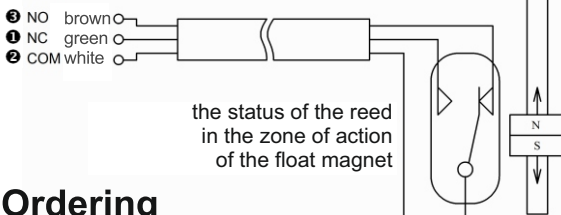
Technical data

Minimum S.G.	0,70 g/cm ³
Maximum pressure	1,2 MPa
Temperature	-25 °C...+ 80°C
Switching point	approx. in the middle of the switch pipe
Electric rating	230 V AC; 100VA; 1A 223 V DC; 50W; 0,5A
Realized functions	open, close, change-over
Electrical connection	cable 3m (standard)
Installation type	cable up (with test device) cable up or down (others)
Protection class	IP68
Material	316L SS

Dimensions



Electric diagram



Ordering

ERH-11-20	Bilge level switch with mounting bracket
/H-2	Switching point approx. in the middle of switching pipe & electric connector with cable 3m *
Additional options	
-Y	With yoke / shackle
-P	With protection of float
-YP/TE	With protection of float and test device

* other lengths of cable upon the order

Order example

Bilge level switch with mounting bracket, cable 3m, protection of float and tester: **ERH-11-20/H-2-YP/TE**

ERH-11-20/H-2-P

