

# SANITARY PRESSURE/LEVEL TRANSMITTER MODEL 572 WITH MODULAR ELECTRONICS

## FEATURES

- Two Wire Loop Powered 4-20 mADC Signal
- Fits Ladish, APC, And Other Sanitary Flanges
- Great For Ultraclean Water Service
- Suitable For CIP/SIP Service
- Removable Electronic Module
- Polished Body Is Basic, Polished Housing Optional
- Zero & Span Pots For Field Recalibration
- Spark & Power Surge Protection
- Optional Dampening
- Optional LCD Display
- Maintenance Free Operation



## TYPICAL APPLICATIONS

Ultraclean Water	Fruit Juice
Fermentation Tanks	Vegetable Oil
Milk Processing	Beer, Wine, Spirits
Candy Making	Pharmaceutical Reactors

## DESCRIPTION

The Model 572 Level and Pressure Transmitter was designed specifically for food, pharmaceutical and ultraclean applications.

The 572 consists of a potted electronic module in a housing which is mounted with a modular pressure sensor as a packaged assembly. The wetted sensor is constructed of 316 S.S. The body is polished and free from crevices, cracks, and voids that can harbor contaminants. The back of the sensor is usually vented to atmosphere to compensate for barometric pressure changes.

Cleaning of the Model 572 can easily be accomplished by disassembly and manual washing, or it can be cleaned and sterilized in place.

The Model 572 can also be used as a liquid level transmitter in vented tanks. The pressure at the bottom of a vented tank containing liquid is linearly proportional to the height and density of the liquid. Use the TPC Pressure Corrector when the tank is pressurized.

## SPECIFICATIONS

Technology: Silicon strain gage  
 Supply Power: 13 to 35 VDC 2 wire loop powered  
 Output Signal: 4-20 mADC, isolated  
 Loop Impedance: 550 $\Omega$  at 24 VDC, 1100 $\Omega$  at 35 VDC  
 Adjustments: Span from 30% to 100% of range.  
 Zero to 30% is basic, non-interactive.  
 Over Pressure: 2X Range (35 PSI ) w/o damage  
 3X Range (1000 PSI ) w/o rupture  
 Temperature Range: -20 to +220°F (Operating)  
 -40 to +275°F (Intermittent)  
 30 to +130°F (Compensated)  
 Accuracy:  $\pm 0.25\%$  F.S. or better  
 Thermal Error:  $\pm 0.02\%$  F.S./°F maximum  
 Barometric Effect: None

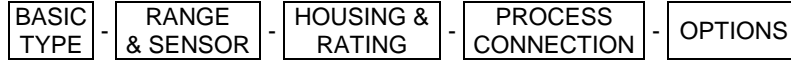
## OPTIONAL FEATURES

Dampening: Selectable 0.1 to 22 seconds  
 Indicator: Large direct reading LCD  
 Alarm Points\*: 1 or 2, 5 Amp SPDT Contacts  
 Power Supply\*: Integral VAC to 24 VDC  
 TPC Corrector: Level measurement in unvented and pressurized tanks



**DELTA**CONTROLS  
CORPORATION

# MODEL NUMBERING SYSTEM



MODEL NO.: 572Y - G4Y - 4XF - 2"TCY - AA

M/N	BODY MATERIAL
572Y	316 S.S.

M/N *	FULL SCALE RANGES	
	U.S.A.	METRIC
G4 Y	15.0 PSIG	1.0 BAR-G
G5 Y	30.0 PSIG	2.0 BAR-G
G6 Y	60.0 PSIG	4.0 BAR-G
G7 Y	120.0 PSIG	8.0 BAR-G
G8 Y	250.0 PSIG	15.0 BAR-G
G9 Y	500.0 PSIG	40.0 BAR-G
A4 Y	15 PSIA	1.0 BAR-A
A5 Y	30 PSIA	2.0 BAR-A
A6 Y	60 PSIA	4.0 BAR-A
A7 Y	120 PSIA	8.0 BAR-A
V8 Y	0/-15 PSIV	0/-1 BAR-V
V9 Y	-15/+15 PSIV	-1/+1 BAR-V
V10 Y	-15/+30 PSIV	-1/+2 BAR-V
V11 Y	-15/+60 PSIV	-1/+4 BAR-V
V12 Y	-15/+120 PSIV	-1/+8 BAR-V

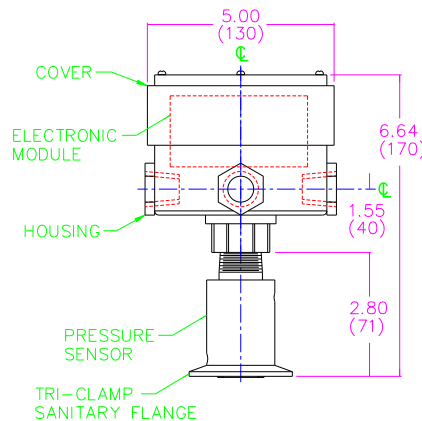
M/N *	LIMITED TO
1" TCY	G4 AND HIGHER PSIG RANGES
1-1/2" TCY	PSIG RANGES
2" TCY	ALL RANGES

\* TUBING SIZE FLANGES; OTHER SIZES AVAILABLE, C/F  
 PROCESS CONNECTION MATERIAL: 316 S.S., LADISH "TRI-CLAMP" "TC" SANITARY FLANGE IS STANDARD; ACME NUT, APC, CHERRY-BURREL, AND OTHERS ARE AVAILABLE, C/F

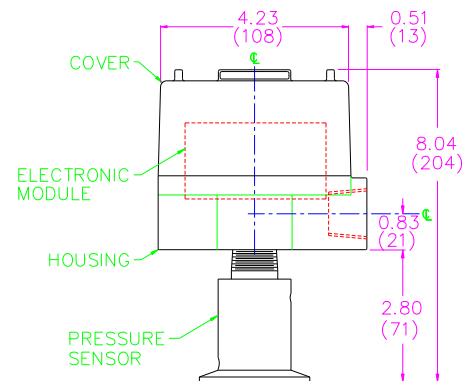
M/N	DESCRIPTION
AA	NONE
328	DIRECT READING LCD DISPLAY
PSM	HOUSING BRACKET FOR 2" PIPE STAND OR VERTICAL SURFACE MOUNTING
TC	4-20mAdc DAMPENING; SELECT 0.1 TO 22 SECONDS
TPC	PRESSURE CORRECTOR FOR USE IN PRESSURIZED TANKS
RC	20-4Ma (REVERSED) OUTPUT SIGNAL
SU	SUPPRESS ZERO TO 80%

M/N	DESCRIPTION (ALL 4X)
4X*	ENVIRONMENT PROOF FLIP-TOP 4X; ALUMINUM CONSTRUCTION WITH WHITE EPOXY OVERLAY; S.S. TRIM
7W*	EXPLOSION PROOF; CLASSES 1 & 2; DIVISIONS 1 & 2; GROUPS BCD, EFG; ALUMINUM CONSTRUCTION
71*	EXPROOF, SAME AS ABOVE EXCEPT ALL 300 S.S. CONSTRUCTION

Made in USA by  
Delta Controls Corp



Model 572 With 4X PVC Housing



Model 572 With Exproof Housing



**DELTA CONTROLS**  
CORPORATION

Engineered Sensors - For Difficult Services

585 Fortson Street  
 Shreveport, La. 71107 - USA  
 Ph: +1(318) 424-8471  
 Fax: +1(318) 425-2421  
 E-mail: sales@deltacnt.com  
 Web: www.deltacnt.com