

## Description

UPS2 electronic pressure switch is pressure measurement & control product with intelligent digital display, it is combined the functions of pressure measurement, display, output and control. This product is made with entire electronic structure, and built isolated-membrane pressure sensor in its front end. Its output signal is amplified through high accuracy & low temperature drift amplifier, then is input high accuracy A/D converter, and processed by microprocessor, the processed signal controls two-way switch, to realize the pressure measurement and control for systems.

The use of UPS2 electronic pressure switch is very flexible. UPS2's operation and adjustment is simple and easy, meanwhile, this product also has good reliability and safety.

UPS2 is widely used in water and electricity industry, petroleum industry, chemical industry, machinery industry etc, for the pressure measurement and control of many kinds of fluids or gas.



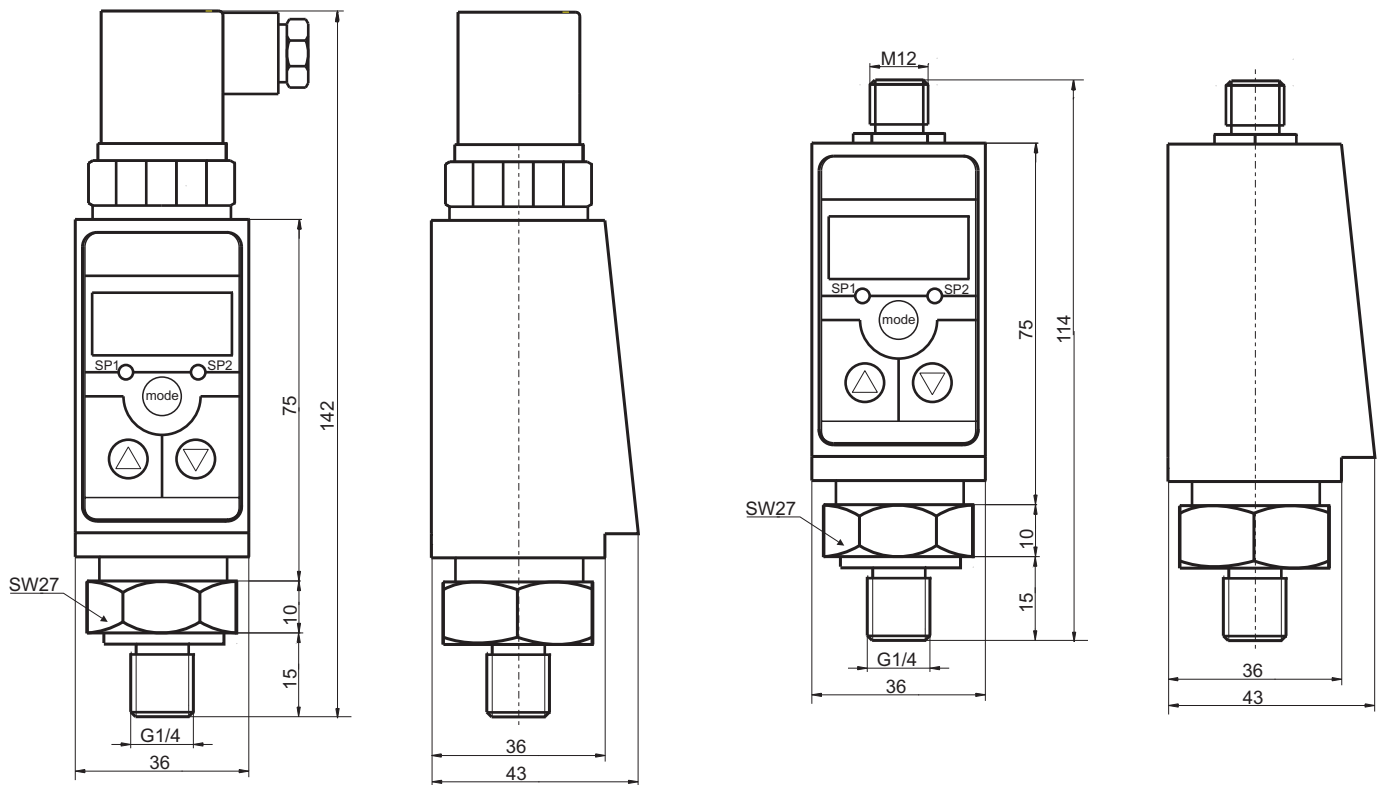
## Features

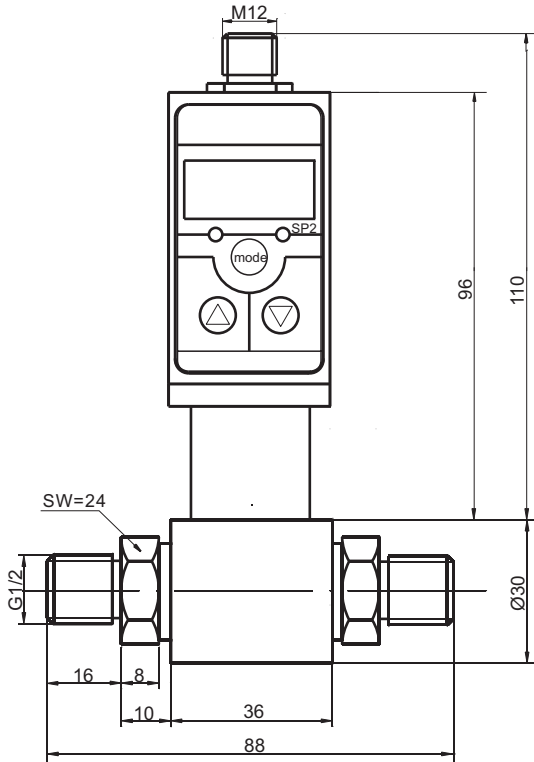
- 4 digit LED Switch value can be set from zero to full scale freely.
- The outer case is equipped with light emitting diode (LED), is easy for observing operation
- Operation is easy; the pressed key is for adjustment and parameters setting on the spot
- Two-way switch output, 1.2A loading capacity
- 4~20mA analog output (optional)

## Specifications

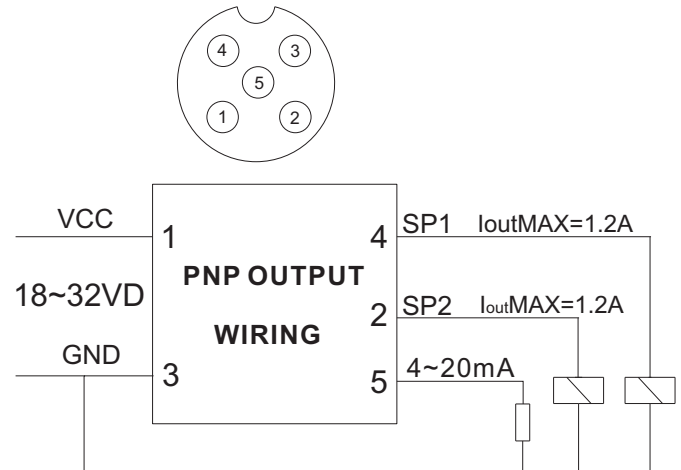
pressure medium	gas or liquid compatible with stainless steel
pressure ranges	-1...0~0.1...1000bar
overload pressure	150%FS
output signal	4~20mA(option)
control accuracy	0.25%FS(standard)
display range	-1999~9999
display mode	4 digit LED
switch type	PNP (standard) or NPN
supply voltage	18~32V DC
ambient temperature range	-30~+80°C
media temperature range	-40~+100°C
temperature coefficient	0.2%FS/10°C
service life of switch	>1million times
power consumption	<3W
load capacity	<24V/1.2A
process connection	G1/4 or others
electrical connection	M12x1 connector or others
material of wetted part	1Cr18Ni9Ti
protection	IP65

## Dimensions





## Electrical connection



- 1(brown): power+
- 2(white): SP2
- 3(blue): GND
- 4(black): SP1
- 5(grey): 4/20mA output+

## Ordering code

UPS2		range	measuring range: -1...0~0.1...1000bar	
		(X1~X2)bar	X1: lower limit of actual measuring range, X2: higher limit of actual measuring range	
			code	pressure type
			G	gauge
			A	absolute
			S	sealed gauge
			D	differential
			code	electrical connection
			E1	hirschmann connector(2xPNP )
			E2	hirschmann connector(1xPNP +4 /20mA)
			E3	M12 connector 5 pin(2xPNP +4/20mA)
			code	process connection
			P1	G1/4
			P3	1/4NPT
			P4	M20×1.5
			Pz	customer request
UPS2	(0~20)bar	G	E1	P1

\*: The pressure set-point and switch state of the two-way pressure switch can be set at any range, suggesting to set the pressure within 10%~100%, so as to assure the working stability of control point.

\*\* :The default setting of switch type is PNP. If you need NPN type, please indicate when ordering.