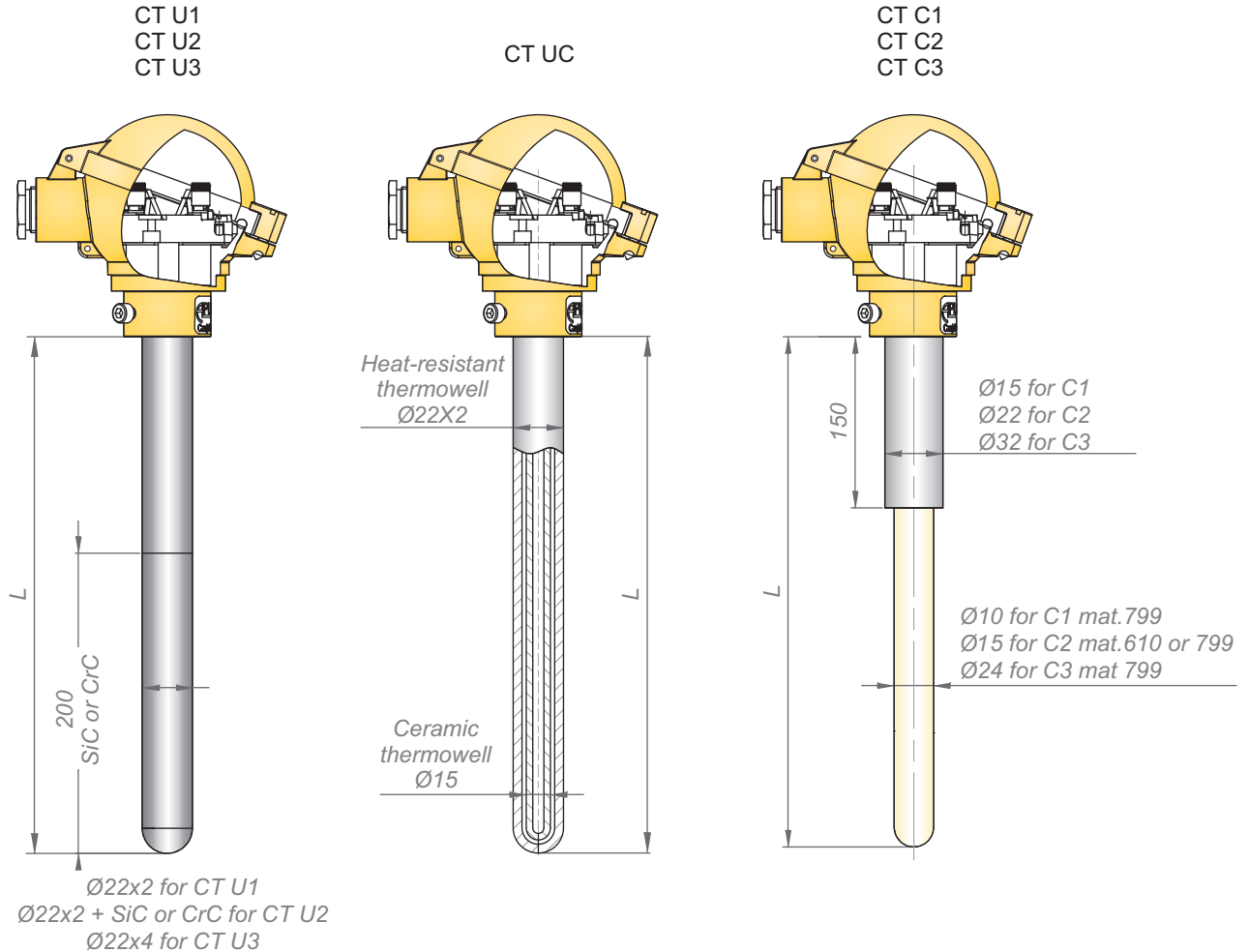


Temperature sensor for high temperature applications

- ✓ - TC sensors J, K, S, B
- ✓ - ATEX Exia certificate



Features

Temperature sensors CT C, CT U, are offered as thermocouples.

Thermocouples are made of two different conductors joined at the end. The temperature difference between junction, placed in measuring point (hot junction), and wire ends (cold junction), generate voltage proportional to the difference of temperature between these junctions. Thermocouples are suitable for the measurement of high temperatures, up to 1700°C.

The accuracy classes 1 and 2 are available with tolerance acc. to IEC60584


Description

Temperature sensors model CTC and CTU are designed for high temperatures up to 1700°C. Various wetted parts materials like heat resistant stainless steel, ceramic or sialon allow to cover many high temperature applications.

Sensors are offered with various fitting elements.

Typical application are:

- chemical application,
- metal alloys industry

| Ordering procedure | | | |
|---------------------------|------------------|---|---|
| CT | | | |
| Process part | | | |
| | U1 | | |
| | U2 | | |
| | U3 | | |
| | C1 | | |
| | C2 | | |
| | C3 | | |
| Certificate | | | |
| | x | | standard version, no certificates |
| | Exia /II |  | II 1/2 G Ex ia IIC T6...T1 Ga/Gb II 1D Ex ia IIIC T75°C Da |
| Measuring element | | | |
| | J | | TC type J |
| | 2xJ | | 2x TC type J |
| | K | | TC type K |
| | 2xK | | 2xTC type K |
| | S | | TC type S |
| | 2xS | | 2xTC type S |
| | B | | TC type B |
| | 2xB | | 2xTC type B |
| Class of element | | | |
| | 1/O | | TC sensor, Class 1, ungrounded junction |
| | 2/O | | TC sensor, Class 2, ungrounded junction |
| Length | | | |
| | L= | | required length of immersion [mm] |
| | S, L1, L2...=... | | required length of immersion end extension [mm] – only CT-F |
| Process connection | | | |
| | X | | Without clamping grip |
| | UC1-22 | | |
| | UC2-22 | | |