

Description

ULB-I digital level transmitter is a fully sealed submersible intelligent level measuring instrument. Based on silicon piezoresistive technology, this product is designed for liquid level measurement by using silicon die with good stability and processing electric circuit of high accuracy smart transmitter, and using precise digital temperature compensation technology and the non-linearity revision technology. The waterproof cable with vent hose of this transmitter is sealed connected with its housing, it is suitable for submersible applications.

The output of ULB-I is digital signal, this makes this transmitter carry on transmission with computer directly.



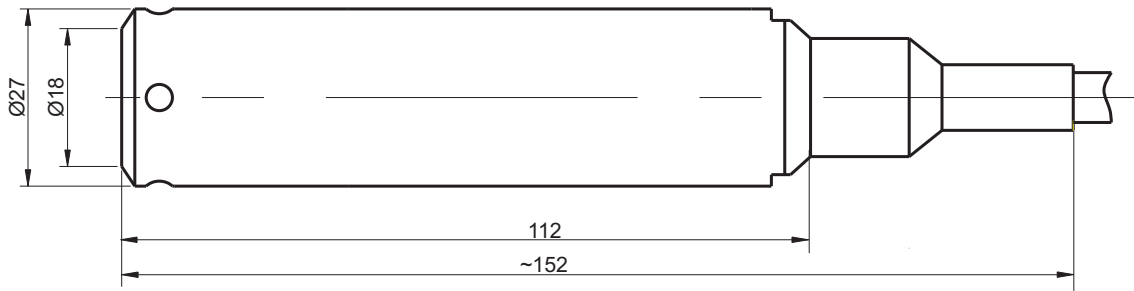
Features

- Data networking gathering
- Advanced circuit design
- HART protocol or MODBUS protocol(RS485 interface)
- Full stainless steel structure, small profile, light weight
- Digital communication technology

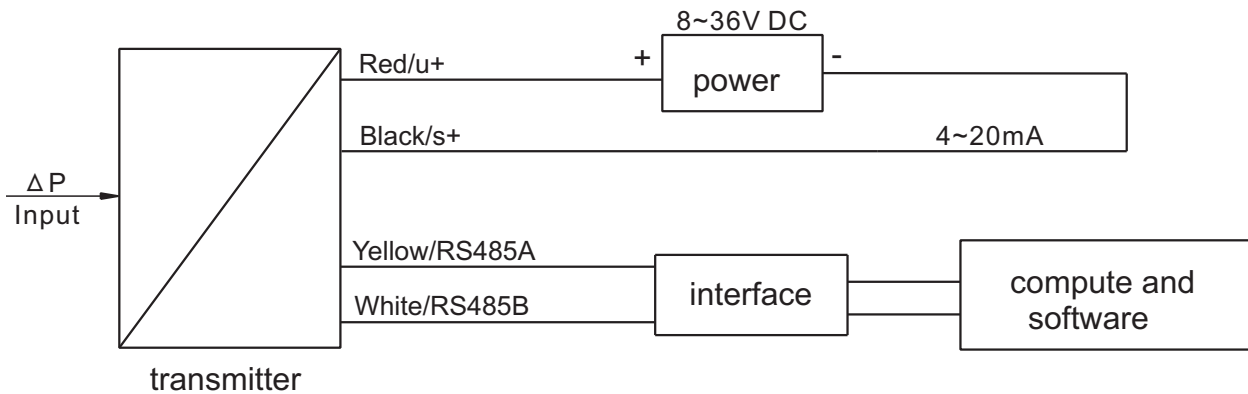
Specifications

pressure medium	gas or liquid compatible to wetted stainless steel
pressure ranges	0~1mH ₂ O...200mH ₂ O
overload pressure	150%FS
output signal	Digital signal or digital signal with 4~20mA analog signal
communications	MODBUS protocol (RS485 interface) or HART protocol
accuracy	0.1%FS, 0.25%FS(standard), 0.5%FS
load resistance	$RL = (U - 12V) / 0.02A$ (HART 4~20mA current output) U—loop voltage (V)
long-term stability	<0.2%FS/year
supply voltage	12~32VDC
compensated temperature range	-10~+70°C
operating temperature range	-30~+100°C
storage temperature range	-40~+120°C
temperature coefficient of zero	0.2%FS/10°C
temperature coefficient of span	0.2%FS/10°C
insulation resistance	100MΩ@50VDC
electrical connection	Φ7. 2mm PUR cable with vent hose
material of wetted part and housing	316 ss
material of pressure membrane	316L ss

Dimensions



Electrical connection



Electrical connection of RS485 interface

Ordering code

ULB-I			
	range	measuring range: 0~1mH ₂ O...200mH ₂ O	
	(0~X)Lbar	X: actual measuring range L: cable length, suggest L-X=(1~2)m	
		code	output and communications
		R	MODBUS RTU protocol with 4~20mA
		Z	MODBUS RTU protocol without 4~20mA
		H	HART protocol with 4~20mA
		code	accuracy
		B	0.1%FS
		C	0.25%FS
		D	0.5%FS
ULB-I	(0~5mH ₂ O)6	R	C

*please indicate on the ordersheet if the user have any special requirement.