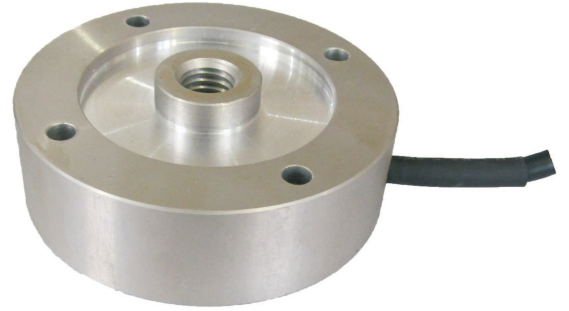


## Features

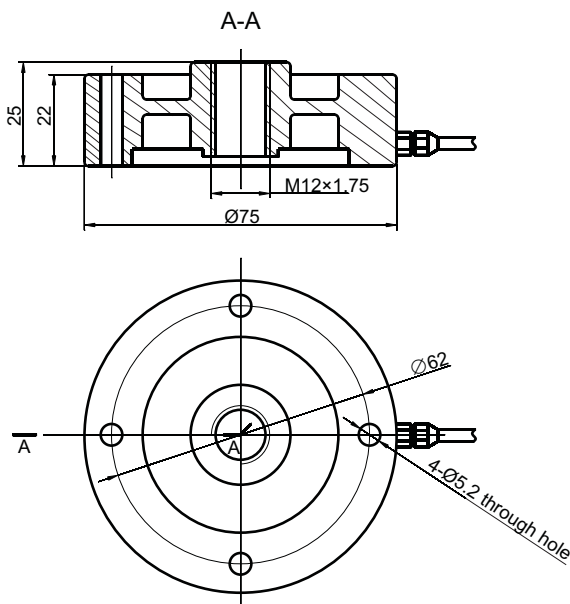
- Capacity: 30~1000kg
- Aluminium alloy
- Compression load cell, easy installation
- Low cost ,high precision



## Specifications

capacity	30kg/50kg/100kg/500kg/1000kg
output	1.5±0.3mV/V
combined error	0.03%FS
non-linearity	±0.03%FS
hysteresis	±0.03%FS
repeatability	±0.03%FS
creep	±0.03%FS/30min
zero unbalance	±1%FS
excitation voltage	5VDC~15VDC
operating temperature range	-35~+80°C
comperature temperature range	-10~+40°C
temperature coefficient of zero	0.05%FS/10°C
temperature coefficient of span	0.1%FS/10°C
input resistance	770±10Ω
output resistance	700±3Ω
insulation resistance	≥5000MΩ@50VDC
safe overload	120%FS
ultimate overload	150%FS
protection	IP66
electrical interface	4-core shielded cable, diameter:4.2mm, length:3.5m

## Dimensions



## Electrical connection

