

Features

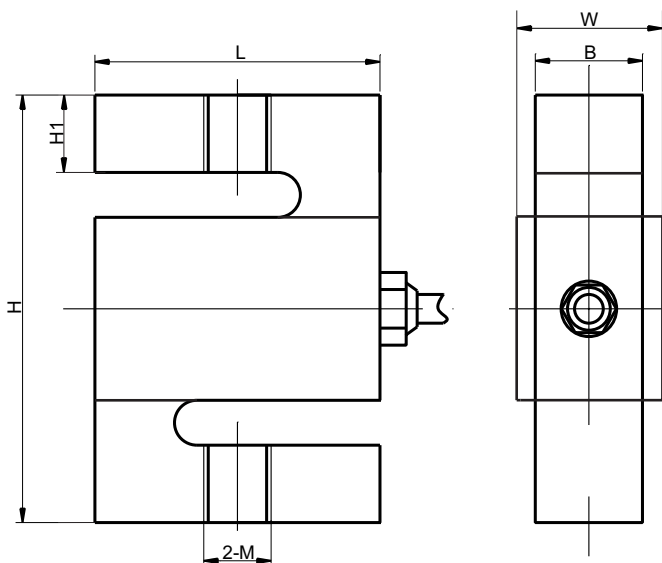
- Capacity: 0.025t~30t.100lb~20klb
- Alloy steel material, rubber sealing, oil-proof, water-proof, anti-corrosion.
- S type, compression & tension measurement, easy installation.
- Explosive-proof, suitable for bad conditions & dangerous



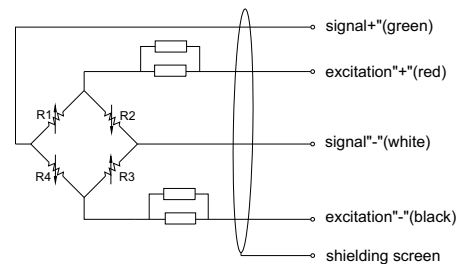
Specifications

capacity	0.025/0.05/0.1/0.2/0.25/0.3/0.5/0.6/0.75/1/1.5/2/2.5/3/5/7.5/10/15/20/30t
output	2.0±0.004mV/V
combined error	0.02%FS, 0.03%FS(option: OIML C3)
non-linearity	±0.02%FS
hysteresis	±0.02%FS
repeatability	±0.01%FS
creep	±0.016%FS/30min
zero unbalance	1%FS
excitation voltage	5VDC~12VDC
operating temperature range	-35~+65°C
compensated temperature range	-10~+40°C
temperature coefficient of zero	0.015%FS/10°C
temperature coefficient of span	0.011%FS/10°C
input resistance	430±60Ω
output resistance	351±2Ω
insulation resistance	≥5000MΩ@50VDC
safe overload	120%FS
ultimate overload	150%FS
protection	IP67
electrical interface	4-core shielded cable, diameter:5mm, length:3m(0.025~0.75t),6m(1~30t)

Dimensions



Electrical connection



Capacity(t)	L	H	B	W	H1	D
25~50kg	50.8	76.2	12.7	14.5	15.7	M8
0.1~0.15t	50.8	76.2	19.0	20.8	15.3	M10x1.5
0.2~0.75	50.8	76.2	19.0	20.8	13.6	M12x1.75
1~1.5t	50.8	76.2	25.4	27.2	12.1	M12x1.75
2~5t	76.2	101.6	25.4	27.2	20	M20x1.5
7.5~10t	125	175	50	/	40.2	M33x3
15~20t	160	200	60	/	51	M42x3
30	190	230	80	/	57.5	M42x3