

Description

The ULB3 armoring type pressure transmitter is constructed by using all sealing isolated diaphragm & oil-filled level sensor and special electrical circuit. This product is featured with high measuring accuracy, good stability, long life, and easy installation etc. It uses unique craft sealing structure, has good performance against leakage, and reliable operation of submerging liquid for a long time.

According to three mathematical model relations of the measured liquid's intensity, density, and level, through the level transducer to measure the fluid's pressure which is proportional to fluid's depth, and transforms its signal to standard 4~20mA electric current signal ((or standard voltage signal) through its amplifying circuit.

The ULB3 armoring type pressure transmitter is widely used for level measurement (static or dynamic level) in the water factory, refinery factory, chemical plant, glass factory, Sewage treatment plant etc.



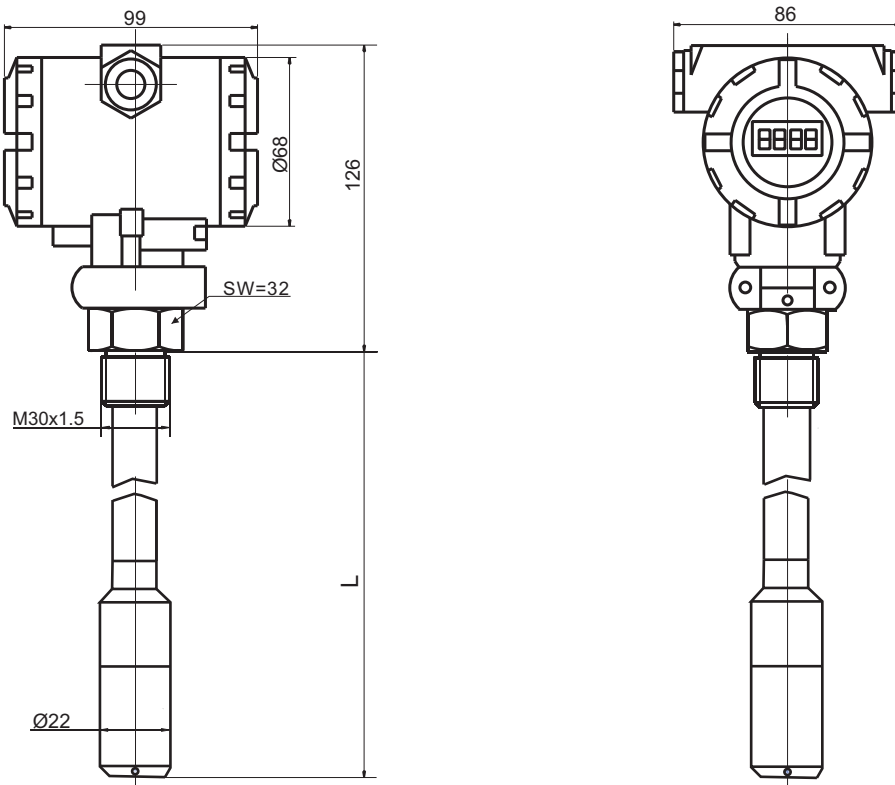
Features

- Measuring range: 0~0.5...3mH₂O.
- All metal armoring type, 316L stainless steel isolated diaphragm.
- Solid sealing, good anti-corrosive ability.
- Unique design against condensation and anti-radar.
- High accuracy, high reliability, anti jamming, good long-term stability.

Specifications

pressure medium	liquid compatible with stainless steel
measuring ranges	0~0.5...3mH ₂ O
overload	200%FS
output signal	4~20mA, 0~5V, 0~10V, 1~5V
accuracy	0.25%FS, 0.5%FS(standard)
load resistance	$R_L = (U - 12V) / 0.02A$ (4~20mA current output) U—loop voltage (V)
long-term stability	<0.2%FS/year
supply voltage	12~36VDC
compensated temperature range	0~60°C
operating temperature range	-40~+100°C
measured media temperature range	-40~+100°C
temperature coefficient of zero	0.25%FS/10°C
temperature coefficient of span	0.25%FS/10°C
insulation resistance	100MΩ@50VDC
process connection	M30x1.5 or others
protection	IP68
explosive-proof	Exia II CT6
material of pressure membrane	316L stainless steel
material of housing	stainless steel and aluminum alloy

Dimensions



Ordering code

ULB3	
range	measuring range: 0~0.5...3mH ₂ O
(0~X)L	X: required measuring range; L: length of Straight rod
code	output
O1	4~20mA
O2	0~5V
O3	1~5V
O4	0~10V
code	process connection
Ps	M30×1.5
Pz	customer request
code	display(only 4~20mA output)
D0	without display
D1	4 digit LED digital display
D2	5digit LCD digital display
ULB3	(0~1mH ₂ O)1 O1 Ps D1