

# Valve Body Selection (for 910TB Control Valve)

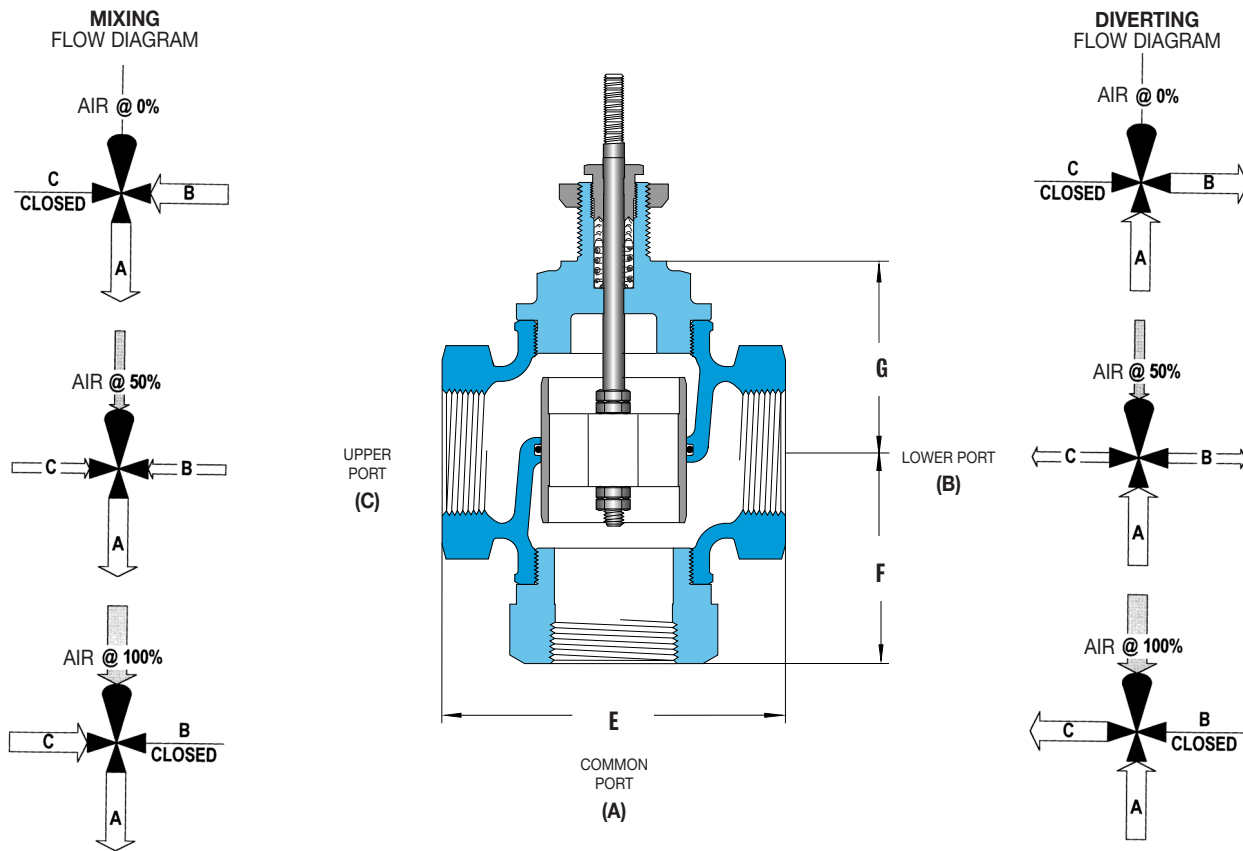
3-WAY • 1/2" - 2"

# STAINLESS STEEL

All dimensions are nominal. Dimensions in [ ] are in millimeters.

## for Mixing or Diverting

CONTROL VALVES



Trerice 3-Way Valves are not designed for use in steam applications. To properly control the mixing of two flows, inlet pressures at ports B and C should be as equal as possible.

### Specifications

| Body Material   | Trim Material   | Trim Style      | Connection | Pressure & Temperature Rating |
|-----------------|-----------------|-----------------|------------|-------------------------------|
| Stainless steel | Stainless steel | Modified linear | Threaded   | 250 PSI @ 300°F (149°C)       |

### Valve Body Selection

| Valve Body Number | Size             |              | C <sub>v</sub> | Actuator 910TB | Maximum Close-Off Pressure (psid) |          |           | Approximate Shipping Wt. |
|-------------------|------------------|--------------|----------------|----------------|-----------------------------------|----------|-----------|--------------------------|
|                   | Connection (NPT) | Nominal Port |                |                | E                                 | F        | G         |                          |
| D18               | 1/2              | 1/2"         | 6              | 250            | 5.0 [127]                         | 2.9 [74] | 3.4 [86]  | 7.5 lbs [3.41 kg]        |
| D25               | 3/4              | 3/4"         | 8              | 250            | 5.0 [127]                         | 2.9 [74] | 3.4 [86]  | 7.5 lbs [3.41 kg]        |
| D34               | 1                | 1"           | 11             | 250            | 5.0 [127]                         | 2.9 [74] | 3.4 [86]  | 7.5 lbs [3.41 kg]        |
| D56               | 1 1/2            | 1 1/2"       | 20             | 250            | 6.1 [155]                         | 3.4 [86] | 4.0 [102] | 15.0 lbs [6.82 kg]       |
| D67               | 2                | 2"           | 30             | 250            | 6.5 [165]                         | 3.8 [97] | 4.2 [107] | 18.5 lbs [8.41 kg]       |