

RPM - Resistive Chain Level Measurement



The RPM level sensor is designed for use in the chemical, oil, shipping, food processing, waste treatment, and many other industries. Each RPM is manufactured to the users specifications making it fit to work precisely according to the application requirements.

Features

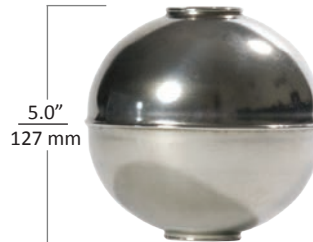
- Continuous level indication
- Rugged and highly reliable
- Anti-stick float design
- Resistive chain or loop powered 4-20 mA output
- Hazardous location approvals - Explosion proof / Intrinsically safe



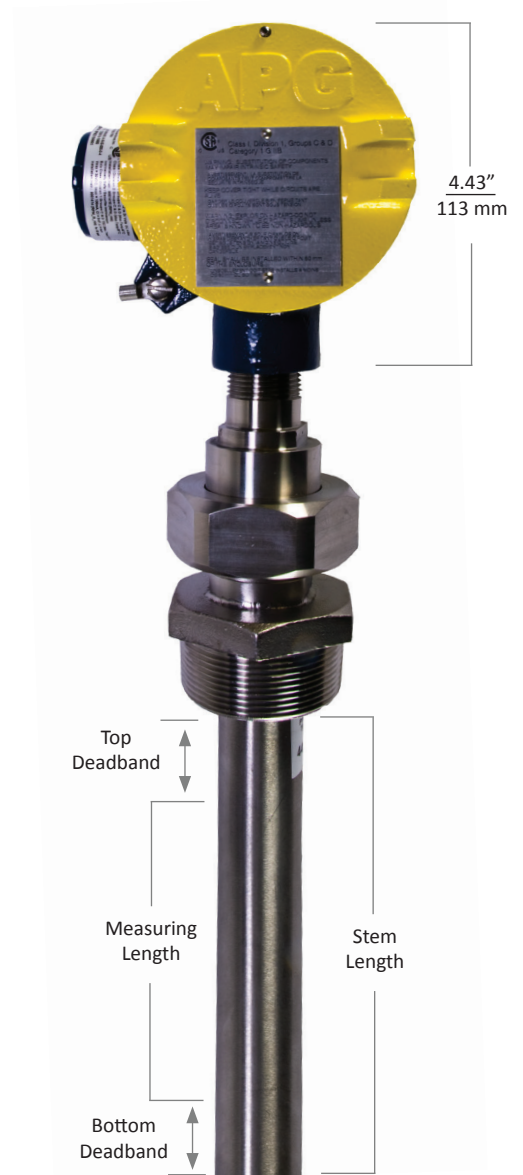
RPM Specifications



Float F - Polyurethane with 316L Stem
(0.44 SG)



Float S - 316L SS
(0.5 SG)



Performance

- Resolution:
 - Standard: 13 mm (0.5 in.)
 - High: 7 mm (0.25 in.)
- Maximum Pressure: 72.5 psi (5 bar)

Environmental

- IP65

Certification

- CSA Explosion Proof:
 - 0-24 VDC output
 - Class 1, Division 1; Groups C & D
 $-40^{\circ}\text{C} \leq T_{\text{amb}} \leq +40^{\circ}\text{C}$
 - Class 1, Division 2; Groups C & D
 $-40^{\circ}\text{C} \leq T_{\text{amb}} \leq +85^{\circ}\text{C}$
 - 4-20 mA output
 - Class 1, Division 1; Groups C & D
 $-40^{\circ}\text{C} \leq T_{\text{amb}} \leq +40^{\circ}\text{C}$
 - Class 1, Division 2; Groups C & D
 $-40^{\circ}\text{C} \leq T_{\text{amb}} \leq +85^{\circ}\text{C}$
- CSA Intrinsically Safe:
 - Exia Class I, Division 1; Groups C & D IIB T4
Class 1 Zone 1; Ex d IIB T3
(4-20 mA output)
 $-40^{\circ}\text{C} \leq T_{\text{amb}} \leq +85^{\circ}\text{C}$
- ATEX Intrinsically Safe:
 - EX II 1 G EEx ia IIB T3
 $-40^{\circ}\text{C} \leq T_{\text{amb}} \leq +85^{\circ}\text{C}$
AEx d IIB T3

Connectivity

- Output:
 - 4-20 mA or Voltage (See Options)

Electrical

- Supply Voltage:
 - Voltage Output: 0-24 VDC
 - 4-20 mA Output: 12-24 VDC

Physical

- Housing: Cast aluminum
- Stem: 316L SS
- Stem Length: 122 to 610 cm (48 to 240 in.)
- Float Material:
 - Polyurethane, 8 in. OD (0.44 SG)
 - 316L SS, 5 in. OD (0.5 SG)
- Cable Entry: 3/4 in. NPT

Model Configuration Options

Model Number: RPM - - - - - - -
 A B C D E F G

A. Probe Length

_____ Specify in inches

B. Logo Designation

- A** APG (Default)
- B** Custom (minimum quantities apply)

C. Float

- N** No Float
- F** Polyurethane float with designated logo (0.44 SG, 8" OD)
- S** 316 SS float (0.5 SG, 5" OD)
- C** Custom float (minimum quantities apply)

D. Output Signal/Hazard Rating

- EX1** 0-24 VDC (resistive) with EX approval (Class 1, Div. 1)
- IS** 4-20 mA with IS and EX approval (Class 1, Div. 1)
- ISr** 20-4 mA with IS and EX approval (Class 1, Div. 1)
- AIS** 4-20 mA with ATEX approval (Ex. II.1G EX ia IIB T3 and Class 1, Div. 1 ia) CSA, IS, Class 1 Division 1

E. Custom Wiring

- 000** None
- 001** T&B 2531 strain relief
- 2xx** Custom cable

F. Resolution/Deadband S1, S2

- 02** 1/2" resolution, top deadband (S1) = 8 inches, bottom deadband (S2) = 5 inches
- 03** 1/2" resolution, top deadband (S1) = 8 inches, bottom deadband (S2) = 4 inches
- 04** 1/2" resolution, top deadband (S1) = 1/2 float H, bottom deadband (S2) = 1/2 float H
- 12** 1/4" resolution, top deadband (S1) = 8 inches, bottom deadband (S2) = 5 inches
- 13** 1/4" resolution, top deadband (S1) = 8 inches, bottom deadband (S2) = 4 inches
- 14** 1/4" resolution, top deadband (S1) = 1/2 float H, bottom deadband (S2) = 1/2 float H

G. Mounting (Optional)

- 00** None
- 0Ax** Flat faced ANSI flange 316L SS (Specify size in ordering code: x=2", 3", 4", 5", or 6")
- 1Ax** Raised face ANSI flange 316L SS (Specify size in ordering code: x=2", 3", 4", 5", or 6")
- 4Tx** NPT plug mounted outside of tank 316L SS (Specify size in ordering code: x=2" or 3")

RPM Accessories

Please order separately by part number.

Part Number	Description
135414	Float stop
135396	Bottom bracket
125603	Right angle bracket pipe clamp
110368	5 in. 316 SS float, 0.5 in. resolution, 0.5 SG
110367	5 in. 316 SS float, 0.25 in. resolution, 0.5 SG
125312	8 in. polyurethane float, 0.5 in. resolution, 0.44 SG
125620	8 in. polyurethane float, 0.25 in. resolution, 0.44 SG



