



Description & Features:

- One piece forged brass case designed for severe service conditions
- Easy-to-read single or dual scale dial
- ASME B40.100 compliant
- CRN registered
- 5 year warranty

Applications:

- High vibration industrial installations including hydraulic and fracking systems

Specifications

| | |
|------------------------------------|--|
| Dial | 2.5" (63mm), 4" (100mm) |
| Case | Forged brass, rugged 2.5": Liquid filled case standard, 4": dry case standard |
| Lens | Polycarbonate |
| Ring | 2.5" (63mm): Gold-coloured ABS, 4" (100mm): polished brass |
| Socket | Brass |
| Pointer | Aluminum, anodized black |
| Connection | 2.5"(63mm): 1/4" NPT bottom or back, 4" (100mm): 1/4" or 1/2" NPT bottom |
| Wetted Parts | Brass |
| Ambient/Process Temperature | -40°F to 150°F (-40°C to 65°C) |
| Accuracy | 2.5" (63mm): ±1.5% of full scale, 4" (100mm): ±1% ANSI/ASME Grade 1A |
| Enclosure Rating | IP65 |

Single Scale Order Codes

| Dial Size | 2.5" (63mm) | | 4" (100mm) | |
|---------------|-------------|----------------|-------------|-------------|
| | 1/4" Bottom | 1/4" Back (CB) | 1/4" Bottom | 1/2" Bottom |
| 30" Hg Vac | PBC801R1 | PBC900R1 | PBC700R1 | PBC1234R1 |
| 30"/0/15 psi | PBC790R1 | PBC890R1 | PBC701R1 | PBC1235R1 |
| 30"/0/30 psi | PBC798R1 | PBC898R1 | PBC702R1 | PBC1236R1 |
| 30"/0/60 psi | PBC799R1 | PBC899R1 | PBC703R1 | PBC1237R1 |
| 30"/0/100 psi | PBC791R1 | PBC891R1 | PBC704R1 | PBC1238R1 |
| 30"/0/150 psi | PBC792R1 | PBC892R1 | PBC705R1 | PBC1239R1 |
| 30"/0/200 psi | PBC794R1 | PBC894R1 | PBC706R1 | PBC1240R1 |
| 30"/0/300 psi | PBC795R1 | PBC895R1 | PBC707R1 | PBC1241R1 |
| 0/15 psi | PBC800R1 | PBC901R1 | PBC708R1 | PBC1242R1 |
| 0/30 psi | PBC802R1 | PBC902R1 | PBC709R1 | PBC1243R1 |
| 0/60 psi | PBC803R1 | PBC903R1 | PBC710R1 | PBC1244R1 |
| 0/100 psi | PBC804R1 | PBC904R1 | PBC711R1 | PBC1245R1 |
| 0/160 psi | PBC805R1 | PBC905R1 | PBC712R1 | PBC1246R1 |
| 0/200 psi | PBC806R1 | PBC906R1 | PBC713R1 | PBC1247R1 |
| 0/300 psi | PBC807R1 | PBC907R1 | PBC714R1 | PBC1248R1 |
| 0/400 psi | PBC817R1 | PBC917R1 | PBC715R1 | PBC1249R1 |
| 0/600 psi | PBC808R1 | PBC908R1 | PBC716R1 | PBC1250R1 |
| 0/1,000 psi | PBC809R1 | PBC909R1 | PBC724R1 | PBC717R1 |
| 0/1,500 psi | PBC816R1 | PBC914R1 | PBC725R1 | PBC718R1 |
| 0/2,000 psi | PBC810R1 | PBC910R1 | PBC726R1 | PBC719R1 |
| 0/3,000 psi | PBC811R1 | PBC911R1 | PBC727R1 | PBC720R1 |
| 0/5,000 psi | PBC812R1 | PBC912R1 | PBC728R1 | PBC721R1 |
| 0/6,000 psi | PBC814R1 | PBC915R1 | PBC024R1 | PBC784R1 |
| 0/10,000 psi | PBC813R1 | PBC913R1 | PBC729R1 | PBC722R1 |

Other ranges and connection sizes available upon request. For scale change, refer to How to Order Guide for scale codes.

For options, attach suffix to end of order code: i.e. PBC805R1-REST for RESTRICTOR SCREW.

Option suffix:

25DRY = Supply 2.5" (63mm) gauge dry
G = Glycerin filled case
REST = Restrictor screw

Dual Scale Order Codes

| Dial Size Connection | 2.5" (63mm) | | 4" (100mm) | |
|-------------------------|-------------|----------------|-------------|-------------|
| | 1/4" Bottom | 1/4" Back (CB) | 1/4" Bottom | 1/2" Bottom |
| 30" Hg Vac/kPa | PBC801 | PBC900 | PBC700 | PBC1234 |
| 30"/0/15 psi/kPa | PBC790 | PBC890 | PBC701 | PBC1235 |
| 30"/0/30 psi/kPa | PBC798 | PBC898 | PBC702 | PBC1236 |
| 30"/0/60 psi/kPa | PBC799 | PBC899 | PBC703 | PBC1237 |
| 30"/0/100 psi/kPa | PBC791 | PBC891 | PBC704 | PBC1238 |
| 30"/0/150 psi/kPa | PBC792 | PBC892 | PBC705 | PBC1239 |
| 30"/0/200 psi/kPa | PBC794 | PBC894 | PBC706 | PBC1240 |
| 30"/0/300 psi/kPa | PBC795 | PBC895 | PBC707 | PBC1241 |
| 0/15 psi/kPa | PBC800 | PBC901 | PBC708 | PBC1242 |
| 0/30 psi/kPa | PBC802 | PBC902 | PBC709 | PBC1243 |
| 0/60 psi/kPa | PBC803 | PBC903 | PBC710 | PBC1244 |
| 0/100 psi/kPa | PBC804 | PBC904 | PBC711 | PBC1245 |
| 0/160 psi/kPa | PBC805 | PBC905 | PBC712 | PBC1246 |
| 0/200 psi/kPa | PBC806 | PBC906 | PBC713 | PBC1247 |
| 0/300 psi/kPa | PBC807 | PBC907 | PBC714 | PBC1248 |
| 0/400 psi/kPa | PBC817 | PBC917 | PBC715 | PBC1249 |
| 0/600 psi/kPa | PBC808 | PBC908 | PBC716 | PBC1250 |
| 0/1,000 psi/kPa | PBC809 | PBC909 | PBC724 | PBC717 |
| 0/1,500 psi/kPa | PBC816 | PBC914 | PBC725 | PBC718 |
| 0/2,000 psi/kPa | PBC810 | PBC910 | PBC726 | PBC719 |
| 0/3,000 psi/kPa | PBC811 | PBC911 | PBC727 | PBC720 |
| 0/5,000 psi/kPa | PBC812 | PBC912 | PBC728 | PBC721 |
| 0/6,000 psi/kPa | PBC814 | PBC915 | PBC024 | PBC784 |
| 0/10,000 psi/kPa | PBC813 | PBC913 | PBC729 | PBC722 |

Other ranges and connection sizes available upon request. For scale change, refer to How to Order Guide for scale codes. **For options, attach suffix to end of order code:**

i.e. PBC805-REST for RESTRICTOR SCREW.

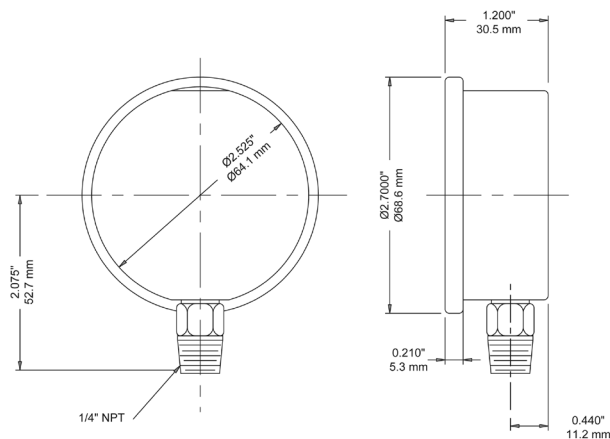
Option suffix:

25DRY = Supply 2.5" (63mm) gauge dry

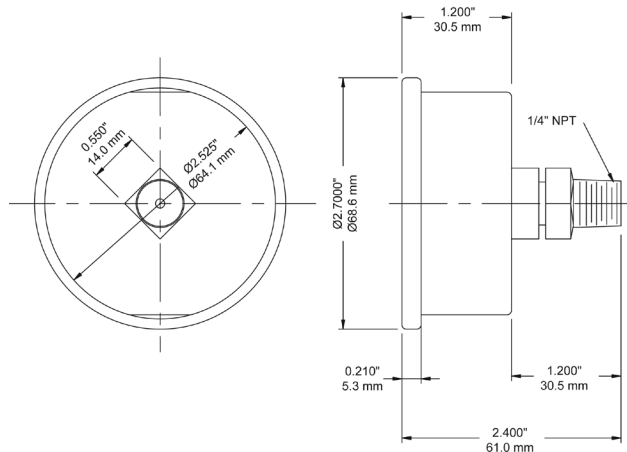
G = Glycerin filled case

REST = Restrictor screw

2.5" Bottom Connection



2.5" Back Connection



4" Bottom Connection

