

## Model 3AA • 2AA All Angle Wide Case Thermometers

Palmer All Angles are a versatile solution to many problems encountered in ordering, stocking, and replacing Industrial Thermometers. Our **Flex Angle Adjustment** feature allows one thermometer to be “infinitely” adjusted to virtually any installation and viewing angle, greatly simplifying engineering and purchasing operations. Their versatility also aids in keeping both the inventory of “back-up” replacement thermometers and process down time at a minimum. Red Reading, Mercury-Filled tubes for high visibility and accuracy. Red Spirit Fill also available.

### Specifications

**Case Length:** 3AA: 9"  
(229mm); 2AA: 12"  
(305mm).

**Case Width:** 2.25" (57mm)  
Case.

**Case Material:** Aluminum.

**Case Style:** All Angle  
Adjustable.

**Crystal:** Instrument Glass.

**Scale:** Black numerals and  
graduations on  
aluminum scale. Engraved  
scale standard on 12".

**Glass Tube:** “Red-Reading”  
Lens glass, individually  
calibrated, thoroughly  
annealed and aged for  
permanent accuracy.

**Fill:** “Red-Reading”  
Mercury Fill Standard,  
Red Spirit optional.

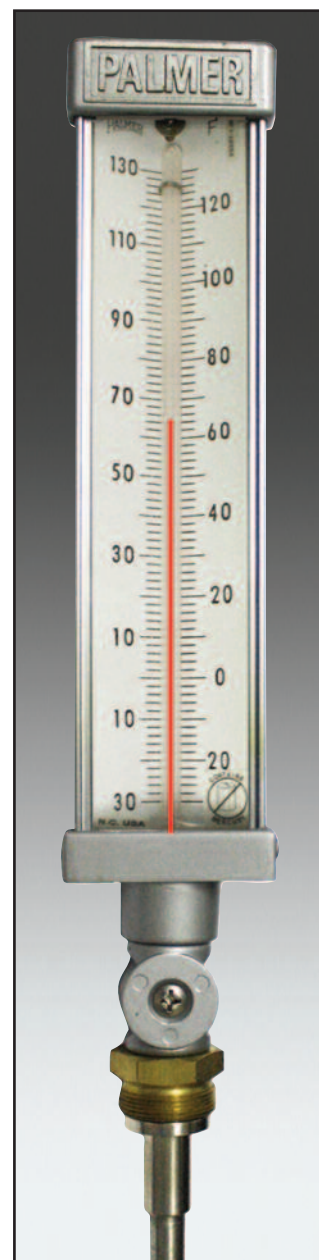
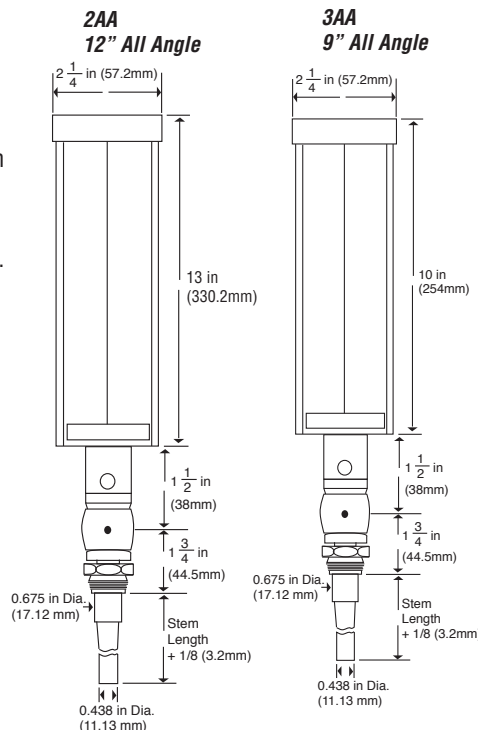
**Accuracy:** ±1/2 scale  
division, ±1 scale division  
if Red Spirit Filled.

**Calibration:** Calibrated to  
NIST traceable standards.

**Fitting:** 1-1/4" -18 UNEF  
Brass Swivel Nut,  
Stainless Steel optional.

**Bulb:** Stainless Steel,  
tapered, 0.437" (11mm).

**Thermowell:** See Palmer  
Thermowell Catalog  
PW1100.



Model 3AA All Angle

### Ordering Information

Please specify the following:

- 1) Base Model Numbers: **3AA:** 9" Case, All Angle or **2AA:** 12" Case, All Angle.
- 2) Stem Length Code from table
- 3) Range Code from table
- 4) Required options from Option Codes table

### Part Number Example

Base Model No.	Stem Length	Temp. Range	Option Code
<b>3AA</b>	<b>6</b>	<b>30/180F</b>	<b>(ES)</b>
9" Case All Angle	6" Stem Length	30° to 180° F Range	Engraved Scale Option

Code	Length	
	Inches	MM
<b>3.5</b>	3.5	89
<b>6</b>	6	152.4
<b>8</b>	8	203
<b>12</b>	12	305

°F Range Code	3AA / 2AA STANDARD RANGE CODES				
	9" Div	12" Div*	Dual Range Code	9" Div	12" Div*
<b>-40/110F</b>	2°	1°	<b>-40/110F&amp;C</b>	2°F / 2°C	1°F / 1°C
<b>0/120F</b>	1°	1°	<b>0/120F&amp;C</b>	1°F / 0.5°C	1°F / 0.2°C
<b>0/160F</b>	2°	1°	<b>0/160F&amp;C</b>	2°F / 0.5°C	1°F / 0.2°C
<b>20/180F</b>	2°	1°	<b>20/180F&amp;C</b>	2°F / 1°C	1°F / 0.5°
<b>30/240F</b>	2°	1°	<b>30/240F&amp;C</b>	2°F / 1°C	1°F / 0.5°C
<b>30/300F</b>	2°	2°	<b>30/300F&amp;C</b>	2°F / 1°C	2°F / 1°C
<b>50/400F**</b>	5°	5°	<b>50/400F&amp;C**</b>	5°F / 2°C	5°F / 2°C

\* Engraved Scales standard on 12"

\*\* Mercury Fill only

3AA / 2AA Option Codes	
Code	Option Description
<b>(DH)</b>	Drain Holes
<b>(DS)</b>	Dual Scale
<b>(ES)</b>	Engraved Scale (Std on 2AA, 12")
<b>(OPS)</b>	One Piece Stem/Bulb
<b>(PC)</b>	Plastic Crystal
<b>(RS)</b>	Red Spirit Fill up to 300°F/150°C
<b>(SN)</b>	304SS Swivel Nut



Register your product at [www.palmerwahl.com/register](http://www.palmerwahl.com/register)

Specifications are subject to change without notice

**PALMER Wahl**

INSTRUMENTATION GROUP  
Continued Innovation Since 1836  
ISO 9001:2008 CERTIFIED