

Description

UTB9 integrated temperature transmitter uses thermocouple or thermal resistor as temperature sensitive element, it can measure temperature of all kinds of liquid, steam and gas medium from -200 to 1600°C, and transform thermocouple's or thermal resistance's signal to 4~20mA standard signal, simultaneously has real-time indication function on the spot.

UTB9 integrated temperature transmitter has LCD or LED display. UTB9 uses integrated electric circuit, which guarantee its stable signal and clear display, this is very convenient to calibrate and inspect the gauges on the scene.

UTB9 has been widely used in chemical industry, petroleum industry, metallurgy industry, light industry, food, electric power, and energy management etc.



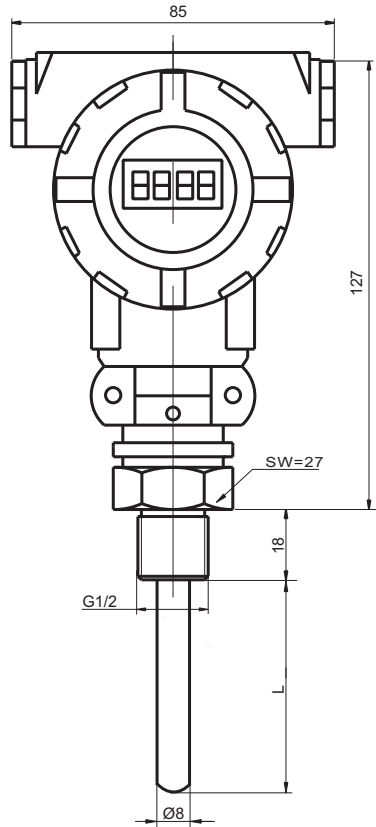
Features

- Range: -200°C~1600°C
- High accuracy, anti-interference, good long-term stability
- Integrated structure, can display its real-time measuring value

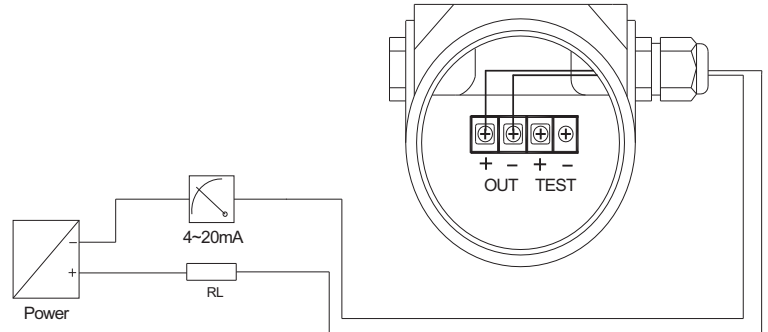
Specifications

measuring	gas or liquids compatible to stainless steel
temperature ranges	thermocouple: E、K、S、B thermal resistor: PT100,Cu50
insert depth	50mm~2000mm(as customer's request)
accuracy	thermal resistor: 0.5%FS(standard); thermocouple: 0.75%FS
output signal	4~20mA
long-term stability	<0.25%FS/year
supply voltage	24V±10% DC
load resistance	RL(max.)=(V-12)/0.02, V:power supply of transmitter
insulation resistance	100MΩ@50VDC
ambient temperature range	-30~+80°C
display	LCD or LED
temperature coefficient of zero	0.2%FS/10°C
temperature coefficient of span	0.2%FS/10°C
process connection	G1/2 or others
electrical connection	M20×1.5 (female)
material of wetted part	1Cr18Ni9Ti stainless steel
material of housing	cast alaluminium
Maximum pressure	10MPa
protection	IP65

Dimensions



Electrical connection



out+: power+
out-: signal+

Ordering code

UTB9					
UTB9	range	measuring range: -200...+1600°C			
	(X1~X2)bar	X1: lower limit of actual measuring range, X2: higher limit of actual measuring range			
		code	temperature sensor type		
		E	"E" type thermocouple: 0~750°C		
		K	"K" type thermocouple: 0~1200°C		
		S	"S" type thermocouple: 0~1300°C		
		P	Pt100 thermal resistor: -200~500°C		
		Z	custom request		
			code	process connection	
			0	G1/2	
		1	M20×1.5		
		Z	customer request		
		code	other functions		
		D0	without display		
		D1	LCD display		
		D2	LED display		
			insert length L(mm)		
UTB9	0~100°C	P	0	D2	80