



UPX20S Complete Flush Diaphragm Pressure Sensor

Description

Based on piezoresistive silicon technology, UPX20S is manufactured from piezoresistive silicon dies. It features a fully welded construction with a complete flush diaphragm contact the pressure medium, able to measure pressure of viscous liquids or fluids. The measured pressure is transmitted to the piezoresistive silicon sensing element through 316L isolated diaphragm and inner medium, thus to realize the precise transformation of electrical signal from pressure.

The flush diaphragm is welded in the front of the sensor body, which has G1/2, M20×1.5 thread type etc for options.

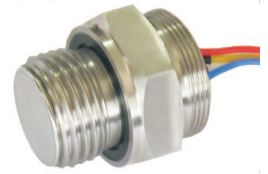
UPX20S pressure sensor is suitable for applications in medicine, food and beverage industry.

Features

- Good performance, entire solid state, high reliability
- Operating temperature range: -40~+125°C or -40~+125°C
- Have gauge pressure, absolute pressure and sealed gauge pressure
- Imported pressure silicon dies
- Flush diaphragm structure, suitable for medical, food, beverage industry

Specifications

pressure medium	gas, viscous fluid or fluid with grains compatible to stainless steel
pressure ranges	-1...0~0.1...100bar
pressure type	gauge(G), absolute(A), sealed gauge(S)
overload pressure	200%FS
output signal	≥70mV(typical)
accuracy	0.25%FS (standard); 0.5%FS
zero offset	≤±2mV
long-term stability	<0.2%FS/year
excitation	1.5mA or 5V DC (1.5mA standard)
compensated temperature range	-10~+70°C
operating temperature range	-40~+125°C
media temperature range	-40~+125°C, -40~+150°C (with heat sink)
temperature coefficient of zero	0.2%FS/10°C
temperature coefficient of span	0.2%FS/10°C
input/output resistance	2~6kΩ
insulation resistance	100MΩ@50VDC
response time(10%~90%)	≤1ms
process connection	G1/2, M20*1.5 etc
electrical connection	4 flexible wires
wetted part material	316
diaphragm material	316L
filled oil	silicon oil

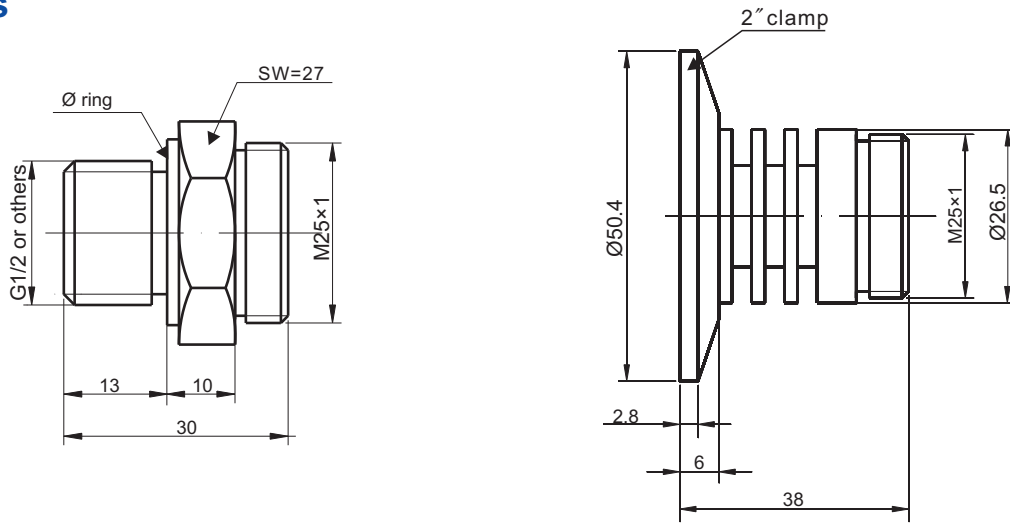


G1/2



2" Clamp

Dimensions



Electrical connection

connection	color
excitation“+”	red
excitation“-”	blue
signal“+”	yellow
signal“-”	white

Ordering code

UPX20S					
UPX20S	range	measuring range: 0~0.1bar...350bar			
	(0~X)bar	X: actual measuring range			
		code	pressure type		
		G	gauge		
		A	absolute		
		S	sealed gauge		
			code	compensation method	
			C1	constant current power compensation(1.5mA standard)	
			C2	constant voltage power compensation(5V DC)	
				code	process connection
			Pc	2" Clamp	
			P2	G1/2	
			P4	M20x1.5	
			P6	1/2NPT	
			Pz	as customer's request	
UPX20S	0~10bar	G	D	P2	