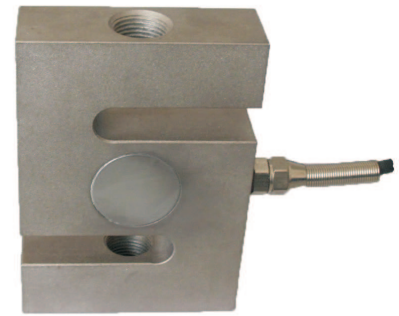


## Features

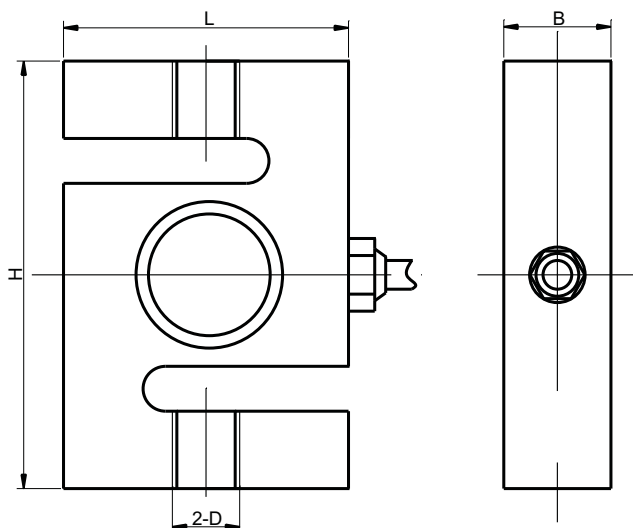
- Capacity: 20kg...30t
- Alloy steel or stainless steel material, welded sealing, oil-proof, water-proof, anti-corrosion.
- S type, compression & tension measurement, easy installation.



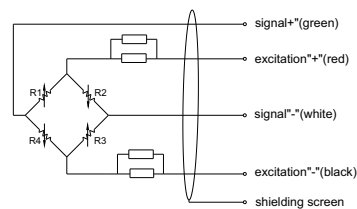
## Specifications

capacity	20kg/30kg/50kg/100kg/200kg/300kg/0.5t/0.75t/1t/2t/3t/5t/10t/20t/30t
output	2±0.004mV/V;3.0±0.004mV/V
combined error	0.02%FS (option: OIML C3)
non-linearity	±0.02%FS
hysteresis	±0.02%FS
repeatability	±0.01%FS
creep	±0.02%FS/30min
zero unbalance	1%FS
excitation voltage	5VDC~15VDC
operating temperature range	-35~+80°C
compensated temperature range	-10~+55°C
temperature coefficient of zero	0.02%FS/10°C
temperature coefficient of span	0.03%FS/10°C
input resistance	360±10Ω
output resistance	350±10Ω
insulation resistance	≥5000MΩ@50VDC
safe overload	150%FS
ultimate overload	200%FS
protection	Ip67
electrical interface	4-core shielded cable, diameter:5.7mm, length:3.5m(0.75~2t);6m(3~10t)

## Dimensions



## Electrical connection



Capacity	L	H	B	D
20~30kg	51	64	12.7	M8x1.25
50~750kg	50.8	76.2	19.1	M12x1.75
1t	50.8	76.2	25.4	M12x1.75
1.5t	50.8	76.2	25.4	M16x1.5
2~3t	76.2	108	31.8	M20x1.5
5t	76.2	108	37	M24x2
7.5t	100	139.7	37	M24x2
10t	125.5	177.8	50.8	M30x2
20t	140	170	81	M42x3
30t	190	230	80	M42x3