

UTH-N1 ROOM TEMPERATURE HUMIDITY SENSOR

User Manual



1. Features:

Output: 4~20mA

High accuracy, good stability, quick response.

Application: used as room measurement occasions like homes, buildings, museums, industrial field measurement, offices, shopping malls, supermarkets, production workshop, warehouse.

2. Specifications:

Power supply: 24VDC

Output signal: 4~20mA

Temperature range: -20~+60°C

Humidity range: 0~100%RH

Accuracy: $\leq \pm 0.5^\circ\text{C}@25^\circ\text{C}$,

$\pm 3\%RH (30\sim 80\%RH@ 25^\circ\text{C})$

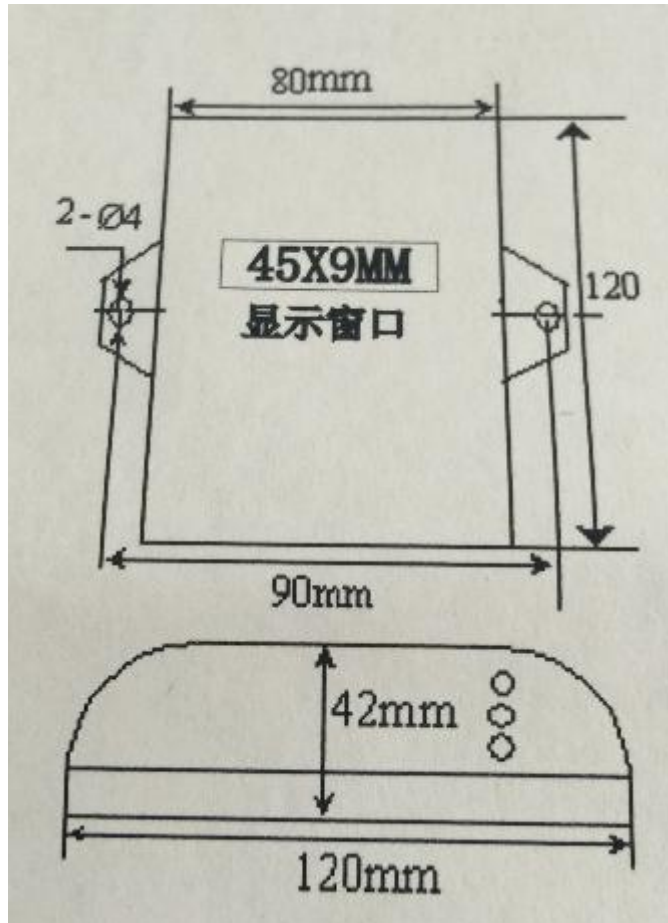
Other humidity range $\leq \pm 5\%RH$

Working temperature range: -20~+60°C, no condensation

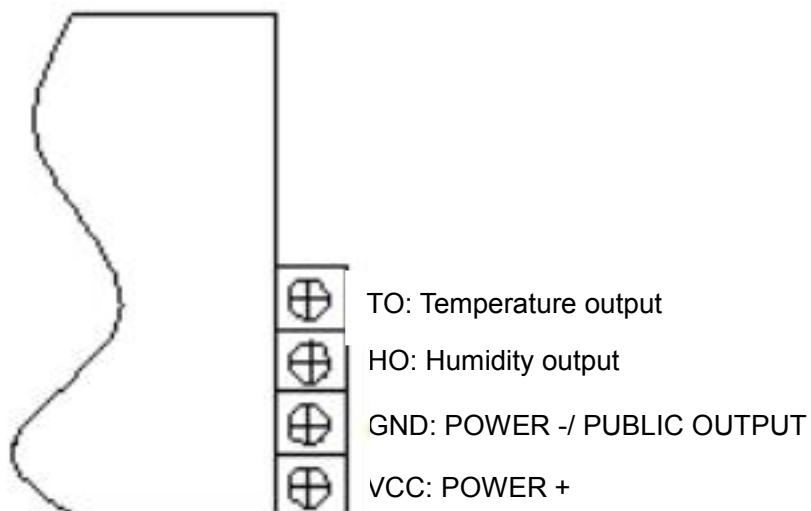
Working current: $\leq 100\text{Ma}$

Dimension: 120*/80*42mm
Installation method: Hanging installation

3. Dimensions:



4. Electrical connection:



Note:

(1) Please do not use the hardy hole on the sensor back for installation, in order to avoid short circuit and damage the sensor.

(2) please make sure the wiring is correct before power supply. The sensor signal output wire is prohibited to connect with power wire, in order to avoid the CI to be burned.

7. Application Notice and Quality Assurance

- (1) This product is not suitable for use in condensation or chemical pollution environment for long time.
- (2) The working temperature of the product is -10~80 deg. For the product with indicator, please use it in -20~60 deg.
- (3) Please make sure the wirings are correct before power supply.
- (4) When connect the sensor to PC data line, please take off the power supply of sensor and PC, to avoid communication line is burned by wrong operation; when disconnect communication data line, please also take off the power supply of sensor and PC.
- (5) Please store the sensor at good conditions (propose room temperature and humidity is 30~70%RH).
- (6) We provide 12 months quality assurance from the date of shipment for our products. We will also provide repair service after product out of quality assurance times.
- (7) Please do not disassembly or repair the products by yourself. Please contact UTOP if you meet any problem, and our technical engineer will give professional suggestion. All results caused by wrong operation for the products will be borne by yourself.

Thanks for choosing our products!

Xi'an UTOP Measurement Instrument Co., Ltd.

Add: RM1202-1203, Unit 3, HeCheng International,

TaiBai South Rd, High-Tech District, Xian-710065, China,

Tel.: +86-29-89181790

Fax: +86-29-89181792

Email: sales@utopsensor.com

Web: www.utopsensor.com