

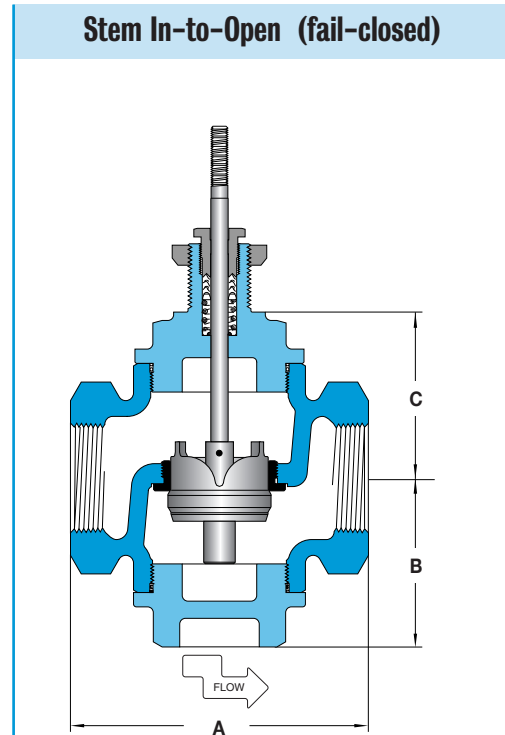
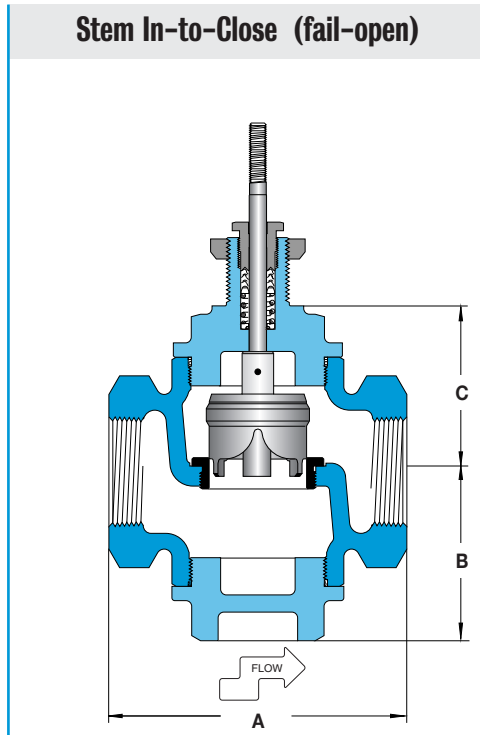
STAINLESS STEEL

Valve Body Selection (for 940 Series Heavy Duty Control Valve)

All dimensions are nominal. Dimensions in [] are in millimeters.

Single Seat • 1/2" – 2"

CONTROL VALVES



Specifications

Body Material	Trim Material	Trim Style	Close-off	Connection	Pressure & Temperature Rating
Stainless steel	Stainless steel	Equal percentage	Class IV	Threaded	515 PSI @ 400°F (204°C)

Valve Body Selection

In-To-Close (fail-open)				Maximum Close-Off Pressure (psid)			Approximate Shipping Wt.		
Valve Body Number	Size		C _v	Actuator		A	B	C	
	Connection (NPT)	Nominal Port		940B	940B w/Positioner				
M14	1/2	1/2"	4.9	353	515	5.0 [127]	2.8 [71]	2.8 [71]	8 lbs [3.6 kg]
M19	3/4	3/4"	7.2	154	515	5.0 [127]	2.8 [71]	2.8 [71]	8 lbs [3.6 kg]
M26	1	1"	10.0	78	515	5.0 [127]	2.8 [71]	2.8 [71]	8 lbs [3.6 kg]
M47	1 1/2	1 1/2"	24	19	514	6.1 [155]	3.4 [86]	3.5 [89]	16 lbs [7.3 kg]
M58	2	2"	40	4	312	6.5 [165]	3.8 [97]	3.8 [97]	19 lbs [8.6 kg]

In-To-Open (fail-closed)				Maximum Close-Off Pressure (psid)			Approximate Shipping Wt.		
Valve Body Number	Size		C _v	Actuator		A	B	C	
	Connection (NPT)	Nominal Port		940B*	940B w/Positioner				
M15	1/2	1/2"	4.9	515	515	5.0 [127]	2.8 [71]	2.8 [71]	8 lbs [3.6 kg]
M22	3/4	3/4"	7.2	515	515	5.0 [127]	2.8 [71]	2.8 [71]	8 lbs [3.6 kg]
M30	1	1"	10	515	515	5.0 [127]	2.8 [71]	2.8 [71]	8 lbs [3.6 kg]
M52	1 1/2	1 1/2"	24	248	286	6.1 [155]	3.4 [86]	3.5 [89]	16 lbs [7.3 kg]
M63	2	2"	40	146	170	6.5 [165]	3.8 [97]	3.8 [97]	19 lbs [8.6 kg]

*Requires a 9-15 psi input signal.