



UPB7 Strain Gauge Pressure Transmitter

Description

UPB7 strain gauge pressure transmitter uses advanced metal foil strain gauges as sensing element. Those strain gauges consist a Wheatstone bridge and can feel the changes of the strain gauge's resistance and convert these changes to "mV" electrical signal, the signal will be amplified to standard current or voltage output after it is conducted by the special amplifiers.

As the sizes of strain gauges are very small and can be designed so many different types to suit different situations. the application of UPB7 strain gauge pressure transmitter is very wide these days, it is suitable for the measurement of middle pressure and high pressure .

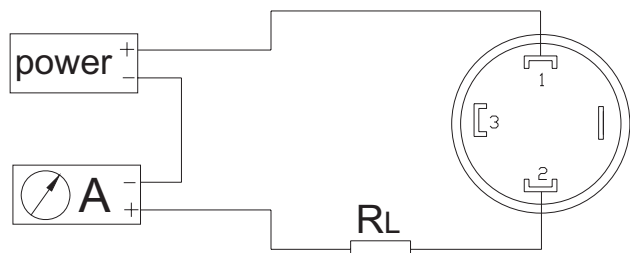
Features

- range up to 5000bar
- Wide application scope, long service life
- Good long term stability
- Anti-corrosion, anti-abrusion, anti-impact
- Suitable for the measurement of middle pressure and high pressure



Electrical connection

Connection	Cable color(pin)
Power“+”	Red(1)
Signal“+”	Yellow(2)



Wiring drawing of 2-wire 4~20mA output (hirschmann connector)

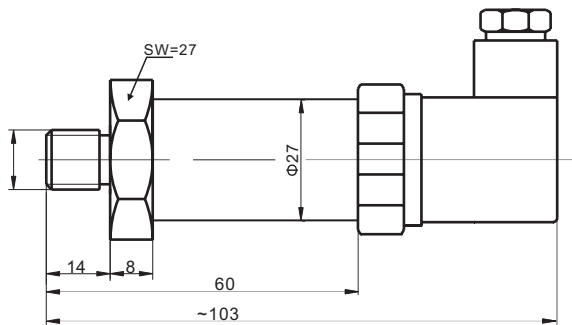


UPB7 Strain Gauge Pressure Transmitter

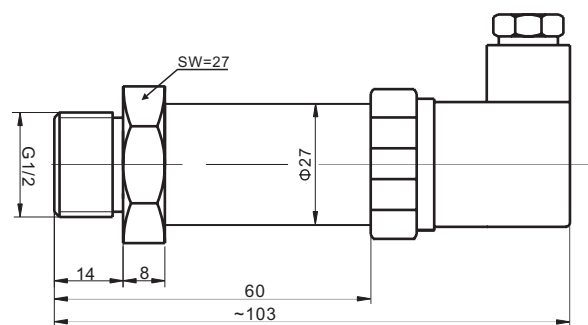
Specifications

pressure medium	gas or liquid compatible to 17-4PH stainless steel
pressure ranges	0~40bar...5000bar
overload pressure	150%FS
output signal	4~20mA, 0~5V, 0~10V, 1~5V
accuracy	0.25%FS(standard), 0.5%FS
load resistance	$RL=(U-9V)/0.02A$ (4~20mA current output) U—loop voltage (V)
long-term stability	<0.2%FS/year
supply voltage	9~36VDC
compensated temperature range	-10~+60°C
operating temperature range	-20~80°C
storage temperature range	-30~100°C
temperature coefficient of zero	0.25%FS/10°C
temperature coefficient of span	0.25%FS/10°C
insulation resistance	100MΩ@50VDC
process connection	G1/4 or others
electrical connection	hirschmann or others
material of wetted part	17-4PH
material of pressure membrane	17-4PH
material of housing	1Cr18Ni9Ti

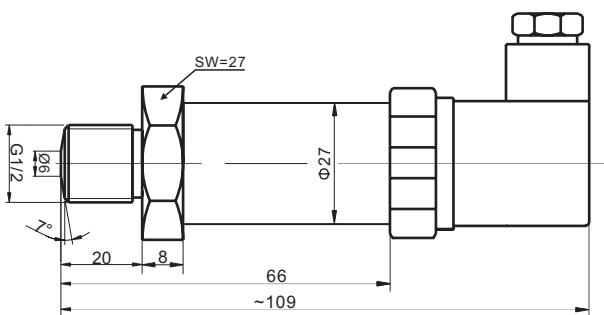
Dimensions



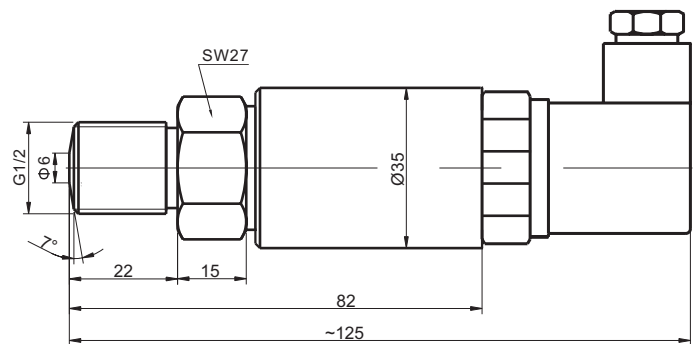
range: 40~400bar



range: 500~700bar



range: 800~2500bar



range: 3000~5000bar



UPB7 Strain Gauge Pressure Transmitter

Ordering code

UPB7							
	range (0~X)bar	measuring range: 0~40bar...5000bar					
		X: actual measuring range					
		code	accuracy				
		C	0.25%FS				
		D	0.5%FS				
			code	output			
			O1	4~20mA			
			O2	0~5V			
			O3	1~5V			
			O4	0~10V			
			O5	0.5~4.5V			
			Oz	customer request			
			code	process connector			
	P1	G1/4					
	P2	G1/2					
P4	M20×1.5						
Pz	customer request						
		code	electrical connection				
		E1	hirschmann connector				
		E2	aviation connector				
		E3	shielded PVC cable				
Ez	customer request						
UPB7	(0~100)bar	D	O1	P1	E1		

*: Please indicate on the order sheet if the user have any special requirement.