

Description

Based on advanced micro machine-finishing technology, UPC5 differential pressure transducer is made by using OEM differential pressure sensor, which is mounted in the entirely sealed stainless steel housing, the negative & positive pressure port of the housing are both G1/4".

The strict precise temperature compensation and linearity compensation guarantee the product to have high accuracy and high stability.

This product is widely used for industrial process control, flow measurement, and in the pressure measurement in medical instrument, aerodynamic force, hydraulic pressure, air operated equipment.

Features

- High measuring accuracy, high stability, high reliability
- Standard G1/4 male thread
- Good linearity
- Small profile, light weight the weight, high frequency response
- High static pressure, good ability on anti-impact



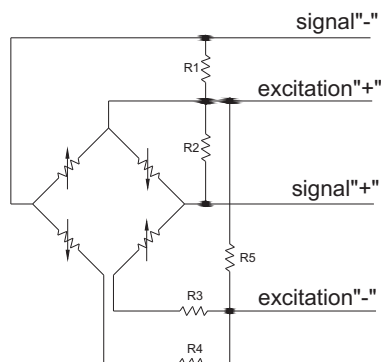
Specifications

pressure medium	gas or liquid compatible to stainless steel
pressure ranges	0~0.2bar...35bar
pressure type	differential(D)
overload pressure	250%FS(positive pressure),100%FS(negative pressure)
system pressure	≤20MPa
output signal	≥70mV
accuracy	0.25%FS(standard), 0.5%FS
zero offset	≤±2mV
long-term stability	<0.2%FS/year
excitation	1.5mA(standard) or 5V DC
compensated temperature range	-10~+70(0~60°C for range 0.2bar,0.35bar)
operating temperature range	-30~100°C
storage temperature range	-40~100°C
temperature coefficient of zero	0.3%FS/10°C
temperature coefficient of span	0.2%FS/10°C
input/output resistance	2~6kΩ
insulation resistance	100MΩ@50VDC
response time	≤1ms
process connection	G1/4 female
electrical connection	Φ5 shielded PVC cable
material of wetted part	1Cr18Ni9Ti
material of pressure membrane	316L
material of housing	1Cr18Ni9Ti
sealing	fluorine rubber sealing ring
protection	IP65

Electrical connection

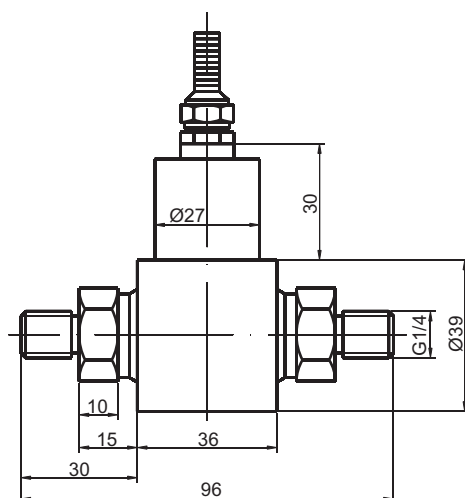
connection	cable color
------------	-------------

excitation“+”	red
excitation“-”	black
signal“+”	green
signal“-”	white



note: please refer to the user manual for the actual wiring

Dimensions



Ordering code

UPC5				
	range	measuring range: 0~0.2bar...35bar		
	(0~X)bar	X: actual measuring range		
		code	process connection	
		Pn	G1/4 female	
		P1	G1/4 male	
		P4	M20×1.5 male	
		Pg	gas nipple	
		Pz	customer request	
		code	electrical connection	
	E1	aviation connector		
	E2	Φ5 shielded PVC cable		
	Ez	customer request		
		code	excitation	
		S1	1.5mA	
		S2	5VDC	
UPC5	(0~2)bar	Pn	E2	S2