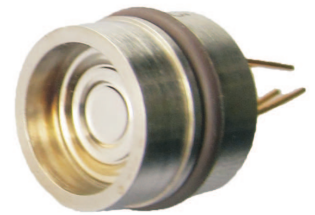


Description

UPX13 OEM piezoresistive pressure sensor is a pressure measurement device based on corrugated stainless steel isolated diaphragm. This pressure sensor is featured with integrated structure, high measuring pressure, good stability and high reliability, and is particularly suitable for high pressure measurements. By using high precise and high stable pressure-sensitive chips, the pressure sensitive elements are assembled in the imported production lines, and tested by computer automatically after zero correction and temperature compensation. UPX13 has good interchangeability because of its general assembly sizes.

UPX13 has been widely used in petrochemical, process control, hydraulic systems, pressure instrumentation, pressure calibration equipment, refrigeration equipment and air conditioning systems and other industries.



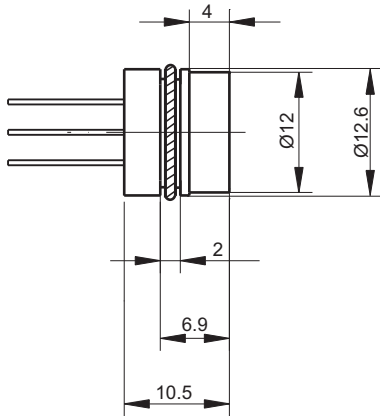
Features

- Ø12.6mm, small size
- Integrated 316L stainless steel
- Measuring ranges: 0~0.7MPa...100MPa
- Isolated structure, suitable for different fluid media
- Gauge pressure, absolute pressure and sealed gauge

Specifications

pressure medium	gas or liquids compatible with stainless steel and fluorine rubber
pressure ranges	0~7...1000 bar
pressure type	gauge(G), absolute(A), sealed gauge(S)
overload pressure	150%FS or 1100bar(choose the smaller)
output signal	≥70mV(typical)
accuracy	0.25%FS(standard), 0.5%FS
zero offset	≤±3mV
long-term stability	<0.1%FS/year
excitation	1.5mA
compensated temperature range	-10~+70℃
operating temperature range	-40~+125℃
storage temperature range	-40~+125℃
temperature coefficient of zero	0.25%FS/10℃
temperature coefficient of span	0.2%FS/10℃
input/output resistance	3~6kΩ
insulation resistance	100MΩ@100VDC
response time(10%~90%)	≤1ms
electrical connection	6 pin
housing material	316
position effect	deviate 90° at any direction, zero change ≤0.1%FS
impact	100g, 11ms
sealing ring	fluorine rubber

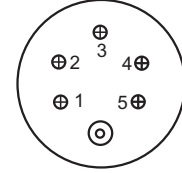
Dimensions



Electrical connection

connection
 signal "+"
 excitation "+"
 excitation "-"
 signal "-"

pin
 2yellow
 3red
 5blue
 4white



note: please refer to the identification card for the actual wiring

Ordering code

UPX13					
code	pressure range			code	pressure range
12	0~7 bar	G,A		18	0~100 bar S
13	0~10 bar	G,S,A		19	0~160 bar S
14	0~16 bar	G,S,A		20	0~250 bar S
15	0~25 bar	G,S,A		21	0~400 bar S
16	0~40 bar	S		22	0~600 bar S
17	0~60 bar	S		23	0~1000 bar S
	<u>code</u>	<u>pressure type</u>			
	G	gauge			
	A	absolute			
	S	sealed gauge			
UPX13	14	G			