

Description

UTY8 digital temperature gauge is designed with whole electronic structure, it uses 3.6V high performance lithium battery as power supply. The display of UTY8 is 5-digit LCD, with high resolution and no reading error. With Pt100 resistor as sensing element, UTY8 can measure and display the medium temperature precisely. The installation of UIY8 is very easy and simple.

UTY8 digital temperature gauge is widely used in such industries as water and electricity, chemical, and machinery, for the measurement and demonstration of fluid medium's temperature.



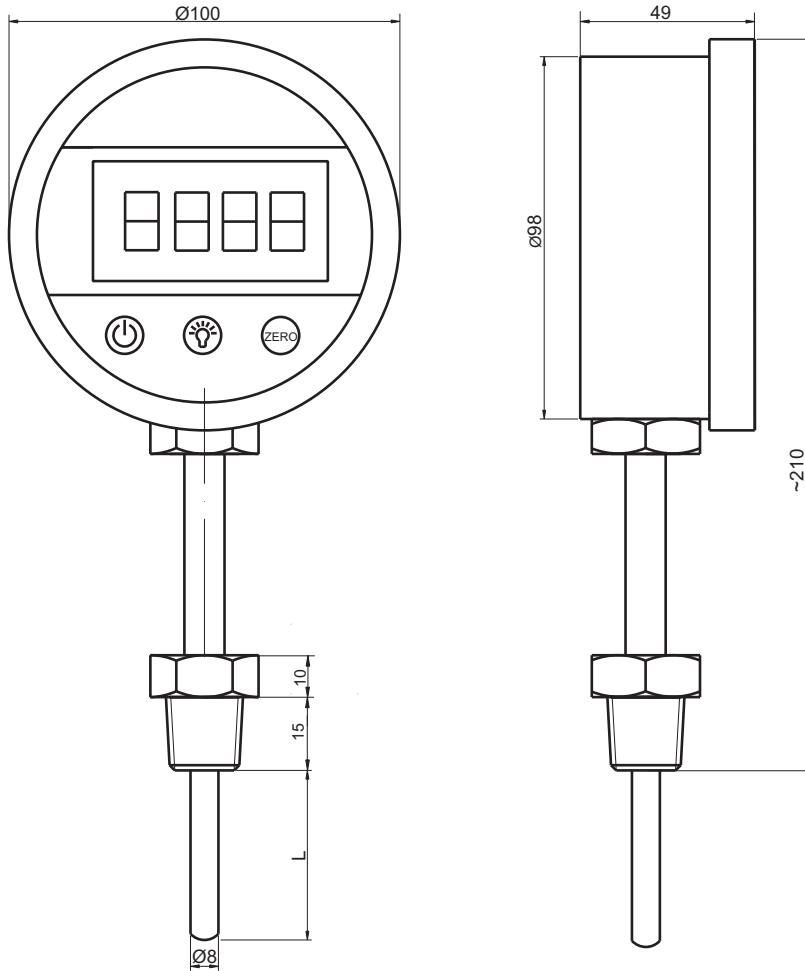
Features

- big LCD screen display, dial 100mm, high resolution.
- Temperature percentage dynamic demonstration (progress strip demonstration)
- 1~15min automatic turn-off function
- 5 selectable engineering units: °C, F,K,Ra,Re
- Micro power loss function, can work above 2 years in the electricity saving patt
- back light design, can see the reading easily in the dark.
- keep peak value function, can record the max temperature reading during process
- sampling speed: 1time/sec.

Specifications

measuring medium	gas or liquid compatible to stainless steel
temperature ranges	-200~+500°C
temperature sensor type	Pt100
accuracy	0.5%FS
LCD display	4-digit
display range	-1999~9999
long-term stability	<0.1%FS/year
battery power supply	3.6V battery
ambient temperature range	-20~+70°C
display unit	°C, F,K,Ra,Re
sampling speed	1time/sec.
process connection	G1/2 or others
housing material	304SS
material of wetted part	304 SS
Insert stem diameter	8mm(standard)

Dimensions



Ordering code

UTY8			
range (X1~X2)°C	measuring range: -200~+500°C X1: lower limit of actual measuring range, X2: higher limit of factual measuring range		
	code	process connector	
	P1	G1/4"	
	P2	G1/2"	
	P4	M20×1.5	
	P5	1/2"NPT	
	Pz	customer request	
		insert length L(mm)	
UTY8	(0~100)°C	P2	60