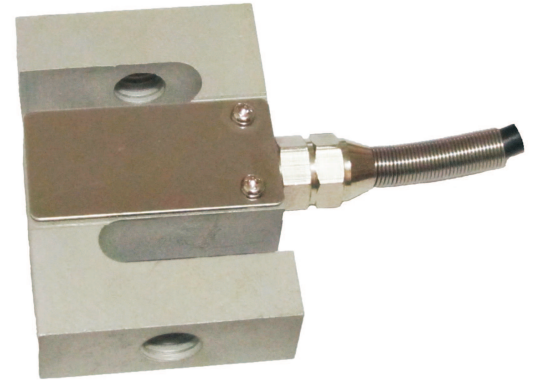


Features

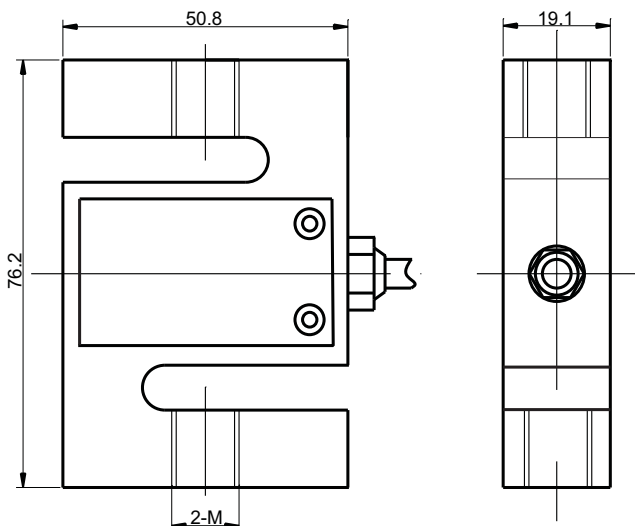
- Capacity: 20kg~500kg
- Aluminum alloy material, anodized treatment
- S type, compression & tension measurement, easy installation
- Application for hanging- and hopper-scales



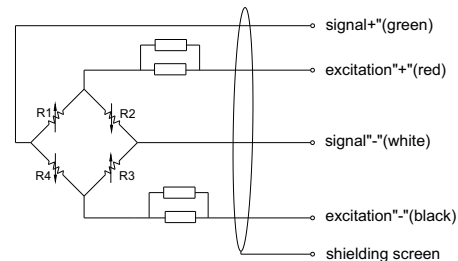
Specifications

| | |
|---------------------------------|--|
| capacity | 20kg/30kg/50kg/100kg/200kg/300kg/500kg |
| output | 2±0.008mV/V |
| combined error | 0.03%FS (option: OIML C3) |
| non-linearity | ±0.03%FS |
| hysteresis | ±0.03%FS |
| repeatability | ±0.02%FS |
| creep | ±0.02%FS/30min |
| zero unbalance | 1%FS |
| excitation voltage | 5VDC~12VDC |
| operating temperature range | -35~+80°C |
| compensated temperature range | -10~+55°C |
| temperature coefficient of zero | 0.03%FS/10°C |
| temperature coefficient of span | 0.02%FS/10°C |
| input resistance | 400±10Ω |
| output resistance | 350±10Ω |
| insulation resistance | ≥5000MΩ@50VDC |
| safe overload | 120%FS |
| ultimate overload | 150%FS |
| protection | IP66 |
| electrical interface | 4-core shielded cable, diameter:5.7mm, length:3.5m |

Dimensions



Electrical connection



| Capacity(kg) | M |
|--------------|----------|
| 20,30 | M10x1.5 |
| 50~500 | M12x1.75 |