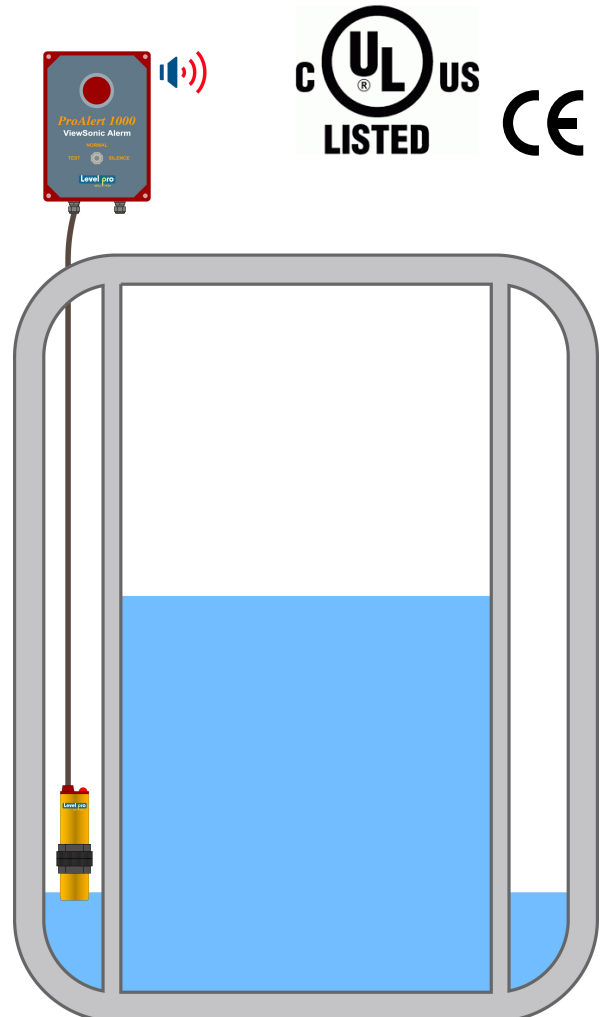


Features

- High Intensity Red Alarm Light
- Pulse to Relay Output
- Super Loud 108dB Audible Alarm
- Silence Function | Light Remains On
- Rugged NEMA 4X Industrial Enclosure
- Latching | Lockable Enclosure
- External Wall Mounting Feet
- C UL US Listed
- High Impact Plastic Polycarbonate Shell
- Includes 6' Power Cord + Watertight Cord
- Completely Pre-Wired
- Extra Output Contact to Remote Alarm or PLC



LDS-YN Capacitive Switch

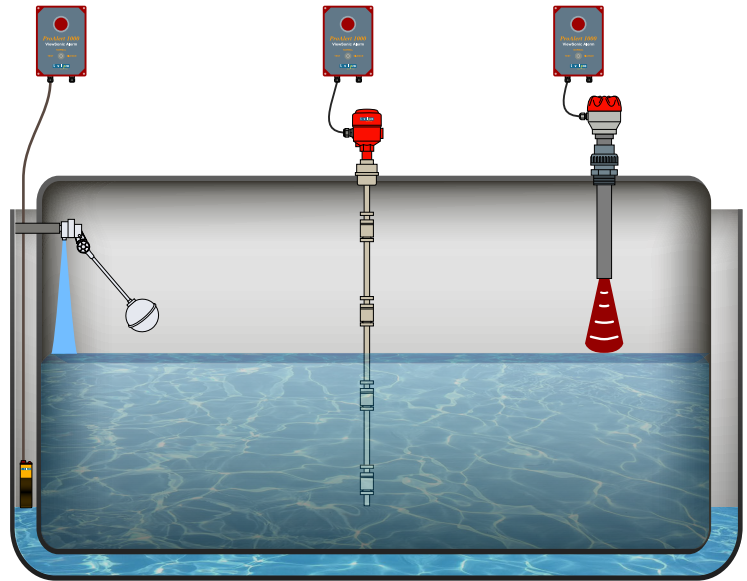
- Low Voltage
- LED Light Indicator
- 25 ft PVC Corrosion Resistant Cable
- Adjustable Sensitivity
- Wall-Mount Brack Included

TYPICAL APPLICATIONS

- High | Low Level Indication for Tanks | Sumps
- Bag | Filter Change Out
- Leak Detection
- Flow | No Flow Sensors | Pump Protection
- Upset Condition Notification

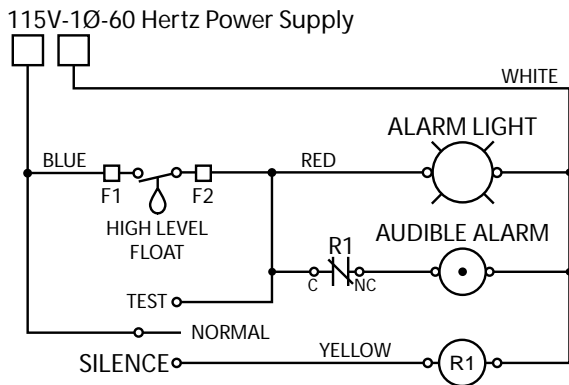
SPECIFICATIONS

- Dimensions | 7" X 5" X 4.5"
- Enclosure | NEMA 4X
- Weight | 2.1 lbs.
- 120VAC | 60Hz | 1 Amp
- Input Power | 100 - 240VAC

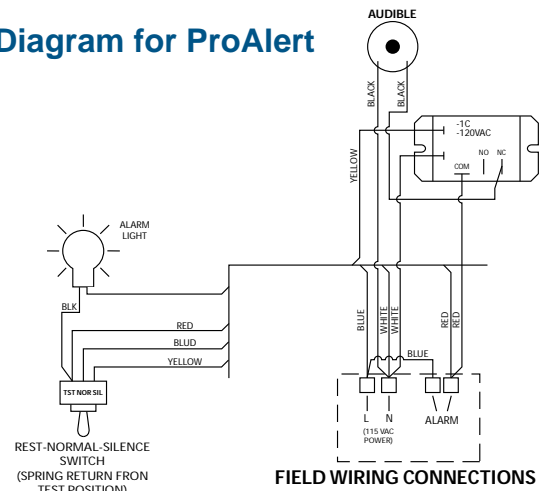


NOTE: The ProAlert 1000 can be used in more than just Leak Detection Applications. It is an excellent High | Low Level Alarm or any other Upset Condition.

ELECTRICAL SCHEMATIC



Wiring Diagram for ProAlert



WARNING



ELECTRICAL SHOCK HAZARD

Disconnect power before installing or servicing this product. A qualified service person must install and service this product according to applicable electrical and plumbing codes.

WARNING



EXPLOSION OR FIRE HAZARD

Do not use this product with flammable liquids. Do not install in hazardous locations as defined by CSA, ANSI/NFPA 70.

Failure to follow these precautions could result in serious injury or death. Replace product immediately if switch cable becomes damaged or severed. Keep these instructions with warranty after installation. This product must be installed in accordance with CSA, ANSI/NFPA 70 so as to prevent moisture from entering or accumulating within boxes, conduit bodies, fittings, float housing, or cable.

MODELS

- **PA-1000-** ProAlert
120V - Dry Contact Input
- **PA-1000-PR** - PNP | NPN Pulse
Input - 5AMP Relay Timer Signal Output