

Description

UTS3 intelligent digital temperature controller is a temperature measurement & control product with intelligent digital display, it is combined the functions of temperature measurement, display, output and control. This product has Two-channel control point relay output 220V/3A

UTS3 is designed with whole electronic structure, by adopting Pt100 temperature sensor as sensing element, the signal is converted by high precise conversion, and then processed by the microprocessor.

UTS3 is presently widely used for fluid temperature measurement, display and control in the water and electricity, petroleum, chemical industries.



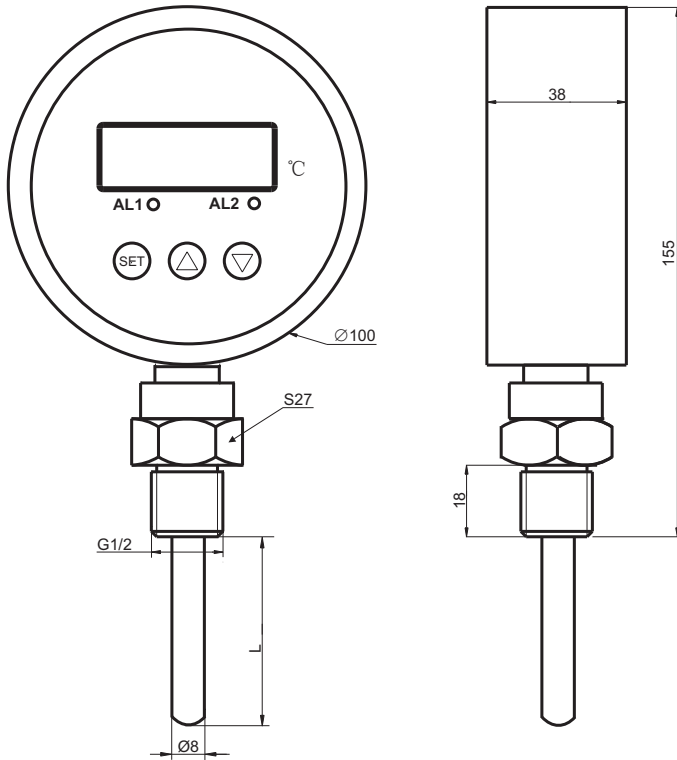
Features

- Dial 100mm
- 4-digit LED display, without apparent value error
- Two-channel control point relay output 220V/3A
- 4~20mA standard analog signal output (optional)
- Two-channel control point can be set on the spot

Specifications

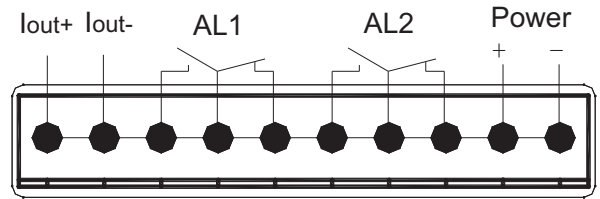
measuring medium	gas or liquid compatible with stainless steel
temperature ranges	-200~+500°C
relay output	220V/3A
output signal	4~20mA(option)
controlling accuracy	0.5%FS(standard)
display range	-1999~9999
display accuracy	0.1%FS
long-term stability	<0.2%FS/year
supply voltage	24V DC(standard); 220VAC
ambient temperature range	-30~+80°C
storage temperature range	-40~100°C
display	0.56" LED
service life of switch	>1 million times
response time	<30 ms
process connection	G1/2 or others
material of housing	stainless steel
material of wetted part	1Cr18Ni9Ti
relative humidity	0~90%
protection	IP65

Dimensions



Electrical connection

1:pin connector(on back)



2:2m cable(lock nut)

red: power+
yellow: power-
white: lout+
orange: lout-

AL1 blue: on
black: com
green: oc

AL2 brown: on
purple: com
gray: oc

Ordering code

UTS3						
range	measuring range: -200~+500°C					
	(X1~X2) bar X1-lower limit of measured temperature, X2-higher limit of measured temperature					
code	power supply					
	D	24V DC(standard)				
A	220V AC					
code	process connection					
	P2	G1/2				
	P6	1/2NPT				
	P4	M20×1.5				
	Pz	customer request				
code	Electrical connection					
	E1	2m cable (lock nut)				
	E2	pin connector(on back)				
	Ez	others				
code	analog output					
	O0	no analog output				
	O1	4~20mA				
	insert length L(mm)					
UTS3	(0~25) bar	D	P2	E2	O1	50

*: The temperature set-point and switch state of the two-way temperature switch can be set at any range, suggesting to set the temperature within 10%~100%, so as to assure the working stability of control point.